

Child Car Seat

HARNESSED CHILD CAR SEAT TO 8 YEARS
MODELS: CS9013



CHILD CAR SEAT

(Forward Facing) Suitable for children from approximately 6 months to 8 years* of age.

Instruction Manual

IMPORTANT: KEEP THIS BOOKLET IN THE PLACE PROVIDED ON THE CHILD RESTRAINT

*All references to age are approximates only and reference to children of average proportions. Children vary in shapes and sizes. The photo displayed is indicative of the type of restraint and may vary slightly depending on the model.



Australian Standard

AS/NZS: 1754:2013
Licence No. 25324-1
SAI Global

Contents

Contents	1
Information	2
Warnings	3
Restraint Guide	5
Child Car Seat	
- Suitability of the child restraint	6
- CS9013 Child Restraints (Itemised list)	7
- Padding - Combination Guide	8
- Shoulder Height Marker	9
- Next Restraint	11
SET UP	
- Adjusting Recline Angle	12
- Headrest Harness Strap Height Adjustment	12
- Buckle Height Adjustment	14
INSTALLATION	
- Installing Using Vehicle Seatbelt	15
- Installing Using Top Tether Strap	19
USE	
- Using Inbuilt Harness	21
- To Release Child	23
CARE OF RESTRAINT	
- Care and Maintenance	24
- Cleaning	25
• Covers	25
• Seat + Hardware	25
• Harness Straps	25
• Harness Buckle	26
REMOVE COVERS	
• Headrest	29
• Apron	29
• Backrest	29
• Seatbase	30
REPLACE COVERS	
• Headrest	31
• Apron	31
• Seatbase	31
• Backrest	32
EXTENSION STRAPS	32
ACCESSORIES	33
ANCHORAGE FITTINGS	
- For cars fitted with anchorage points	37
- For cars not fitted with anchorage points	38
INSURERS INFORMATION	39

Please read carefully the whole of the instructions for installation and, in the event of doubt about the method of installation, to consult InfaSecure or agent, or a child restraint fitter, or in New Zealand, to consult the agent for the vehicle.

Information

This instruction manual covers various models under the Model number CS9013 design. These child restraints are installed in the rear of the car and can only be used forward-facing. They are installed in the car using the car seatbelt and the top tether strap attached to the car's child restraint anchor fitting. This Car Seat is designed to be used by children from approximately 6 months of age up to approximately 8 years of age.

Air Cocoon Technology™ - A Protective Embrace

Air Cocoon Technology™ (A.C.T.) enhances protection by dramatically reducing the impact forces during a crash. A.C.T. utilises a layer of air held inside the entirety of the child restraint shell, offering an increased level of protection across the entire surface area of the restraint. Your child is quite literally cradled in a cocoon of air, offering a true 180 degrees of protection to your child's vital organs.



Secur-air

Secur-air works hand in hand with Air Cocoon Technology to dramatically reduce crash energy to the child's head. Together they reduce crash energy more than five times lower than the level required by the Australian Standard.



secur-air™

Twist & Lift™

This Child restraint has also been designed with 'TWIST & LIFT' which features deep side wings that shield and contain your child's head in a side impact crash. The TWIST & LIFT system is designed to be adjusted as your child grows which automatically repositions the harness at the same time.



No child restraint can guarantee absolute protection from injury in every crash. However, to ensure that your child gets all the protection designed into the restraint please read and follow the instructions exactly and use only InfaSecure recommended parts and accessories.

InfaSecure is an Australian owned and operated family business, which can trace it's roots back over 60 years, becoming the single largest Australian owned and operated child restraint company in the country. Today, we are still growing, continuing to innovate and providing high quality products at an affordable price.



Warnings



WARNINGS

- Use the restraint exactly as shown in the instructions.
- Supervision of children is needed because they may be able to undo buckles.
- **DO NOT LEAVE CHILDREN UNATTENDED IN THE CAR.**
- Do not alter or modify this restraint.
- Repairs must only be done by the manufacturers or agent.
- Do not allow the restraint to come into contact with polishes, oils, bleach and other chemicals.
- Destroy the restraint if it has been in a severe crash, even if no damage is visible.
- **DO NOT USE THIS RESTRAINT WITHOUT THE COVER.**
- Fit the restraint firmly to the car seat.
- Fit the harness firmly to the child.
- A loose restraint or harness is dangerous.
- Always secure the loose end of the top tether strap. Do not use the child restraint where this strap may fall into a split in the seat back or off the side of the seat.
- **ALWAYS ATTACH HOOK AND REMOVE SLACK**
- **DO NOT ATTACH THIS CHILD RESTRAINT TO ANY ISOFIX LOW ANCHORAGE.** ISOFIX low anchorages in cars are designed to withstand only those loads imposed by children aged up to approximately 4 years of age in a correctly fitted and approved ISOFIX compatible child restraint. This child restraint is not approved for use with the car's ISOFIX low anchorages.

Please read carefully the whole of the instructions for installation and, in the event of doubt about the method of installation, to consult InfaSecure or agent, or a child restraint fitter, or in New Zealand, to consult the agent for the vehicle.

Warnings



WARNINGS






















- THIS RESTRAINT IS NOT SUITABLE FOR USE WHERE THE TOP TETHER STRAP MAY FALL INTO A SPLIT IN THE SEAT BACK OR OFF THE SIDE OF THE SEAT.
- THIS RESTRAINT MUST BE ATTACHED TO A CHILD RESTRAINT UPPER ANCHORAGE POINT IN THE CAR. REFER TO CAR OWNER'S HANDBOOK FOR LOCATION OF ANCHORAGE POINTS. REFER TO A CHILD RESTRAINT FITTING STATION IF NO ANCHORAGE POINTS ARE IN THE MOTOR CAR.
- Always secure the loose end of the top tether strap to prevent it hanging out of the car or being accessible by the child. Do not use the child restraint where this strap may fall into a split into the seat back or off the side of the seat.
- IF AN AIRBAG IS FITTED IN THE SEATING POSITION WHERE THE CHILD RESTRAINT IS TO BE FITTED, FOLLOW THE VEHICLE MANUFACTURER'S WARNINGS AND INSTRUCTIONS.
- THIS CHILD RESTRAINT IS NOT APPROVED FOR USE WITH ANY CONNECTORS THAT CONNECT TO THE CARS ISOFIX LOW ANCHORAGES.



WARNING

DO NOT LEAVE CHILDREN UNATTENDED IN THE CAR.

Restraint Guide

MODE	Infant Seat		Child Seat		Booster Seat		Seat Belt	
	BIRTH	2	4	6	7	8	10	12+
REARWARD-FACING RESTRAINT (TYPE A1) BIRTH TO APPROX 6 MONTHS		REARWARD FACING 0 to 6 (months)						
CONVERTIBLE CAR SEAT (TYPE A2/B) BIRTH TO 4 YEARS		REARWARD FACING	FORWARD FACING	Approx 0 to 4 years				
CONVERTIBLE CAR SEAT (TYPE A4/B) BIRTH TO 4 YEARS		REARWARD FACING	FORWARD FACING	Approx 0 to 4 years				
CONVERTIBLE CAR SEAT (TYPE A4/G) BIRTH TO 8 YEARS		REARWARD FACING	FORWARD FACING			FORWARD FACING	Approx 0 to 8 years	
ZERO TO 8 CONVERTIBLE CAR SEAT (TYPE A2/B/E) BIRTH TO 8 YEARS		REARWARD FACING	FORWARD FACING		BOOSTER SEAT		Approx 0 to 8 years	
FORWARD-FACING RESTRAINT (TYPE B) APPROX 6 MONTHS TO 4 YEARS		FORWARD FACING		Approx 6 months to 4 years				
FORWARD-FACING RESTRAINT (TYPE G) APPROX 6 MONTHS TO 8 YEARS		FORWARD FACING					Approx 6 months to 8 years	
CONVERTIBLE BOOSTER SEAT (TYPE B/E) APPROX 6 MONTHS TO 8 YEARS		FORWARD FACING			BOOSTER SEAT		Approx 6 months to 8 years	
BOOSTER SEAT (TYPE E) FROM APPROX 4 YEARS TO 8 YEARS			Approx 4 years to 8 years		BOOSTER SEAT		LARGER BOOSTER SEAT	
BOOSTER SEAT (TYPE F) FROM APPROX 4 YEARS TO 10 YEARS			Approx 4 years to 10 years		BOOSTER SEAT			
SEAT BELT FROM APPROX 7 YEARS AND OVER							7 +	10 +

REQUIRED BY LAW

Allowable by law More Appropriate

IMPORTANT: Research has shown that the likelihood of an accessory child safety harness being used incorrectly is very high and the risk of injuries when incorrectly used is much higher compared to a lap-sash seat belt. InfaSecure recommend that an accessory child safety harness should only be used if a lap-only seat belt is all that is available.

Child Car Seat (Forward Facing)

THE SUITABILITY OF THE CHILD RESTRAINT TO GROUPS OF CHILDREN

TYPE G

To be used only in a forward-facing position by a child whose shoulders are above the lower shoulder height marker (approximately 6 months of age) until the child's shoulders reach the upper shoulder height marker (approximately 8 years of age).

Continue to use this child restraint until the child reaches this limit.

Do not use this child restraint until the child's shoulders are above the lower shoulder height marker.

Infants are at risk of serious injury if they face forward too early.

Children are at risk of serious injury if they move to booster seats too early.

Just using a seatbelt is not recommended for children that have out grown this restraint. Children are safest in a booster seat until their shoulders reach the upper shoulder height marker of the booster seat.

IMPORTANT

- This restraint does not require the straps to be disconnected to adjust their height. Only the headrest needs to be moved to adjust the shoulder straps.
- This can be achieved without the restraint having to be removed from the car.

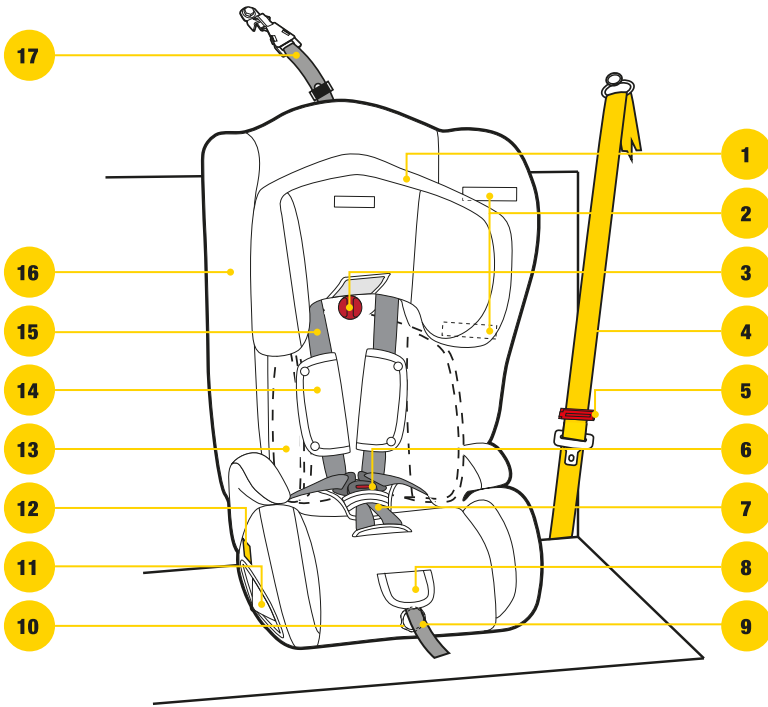
TO BE USED WITH A LAP-SASH/LAP-ONLY SEAT BELT IN THE BACK OF MOST CARS WITH FORWARD FACING SEATS.

The use of child restraints in the front seat may be restricted for children of specific ages by local legislation. Please check with your local Department of Transport for the specific seating locations of children using child restraints for their given ages.

IMPORTANT

- For a vehicle without a fixed parcel shelf an extension strap(s) may be needed. If so ring (02) 4728 8090 for nearest supply location.
- Seatbelt extenders are not recommended to be used if the seatbelt is not long enough to secure the child restraint. If seatbelts are too short then advice should be sought from a child restraint fitter and their recommendation be considered before using a seatbelt extender.

Model CS9013



- | | |
|--|---|
| <p>1. Adjustable Headrest</p> <p>2. Shoulder Height Markers</p> <p>3. “TWIST & LIFT” Headrest Adjustment</p> <p>4. Vehicle Seat Belt</p> <p>5. SAFE GRIP Red Belt Clamp (if supplied with restraint)</p> <p>6. Buckle Assembly</p> <p>7. Buckle Pad</p> <p>8. Harness Adjuster (under cover flap)</p> <p>9. Harness Adjustment Strap</p> <p>10. Recline Knob</p> <p>11. Cup Holder (if supplied with restraint)</p> | <p>12. “FORWARD-FACING SEAT BELT PATH” Marker (each side of restraint - coloured yellow)</p> <p>13. Padded Insert (if fitted)</p> <p>14. Shoulder Pads</p> <p>15. Harness Straps</p> <p>16. Comfort Cover</p> <ul style="list-style-type: none"> • Headrest • Apron • Backrest • Seat Base <p>17. Top Tether Assembly</p> <ul style="list-style-type: none"> • Tether Strap • Adjuster • Attachment Clip • Anchor Fitting + Attachment Hardware |
|--|---|

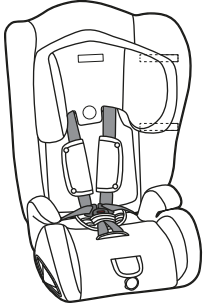
Padding / Inserts

Combination Guide

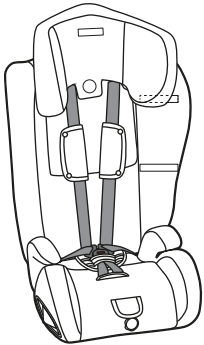
(Shoulder pads & buckle pads)

Insert

MODE



Child Car Seat
(Small Child)
FORWARD FACING



The Padded Insert/s (if fitted) are designed to provide extra support and comfort for small children. Discontinue use when the insert is a tight fit or creates discomfort for larger children.

Child Car Seat
(Large Child)
FORWARD FACING



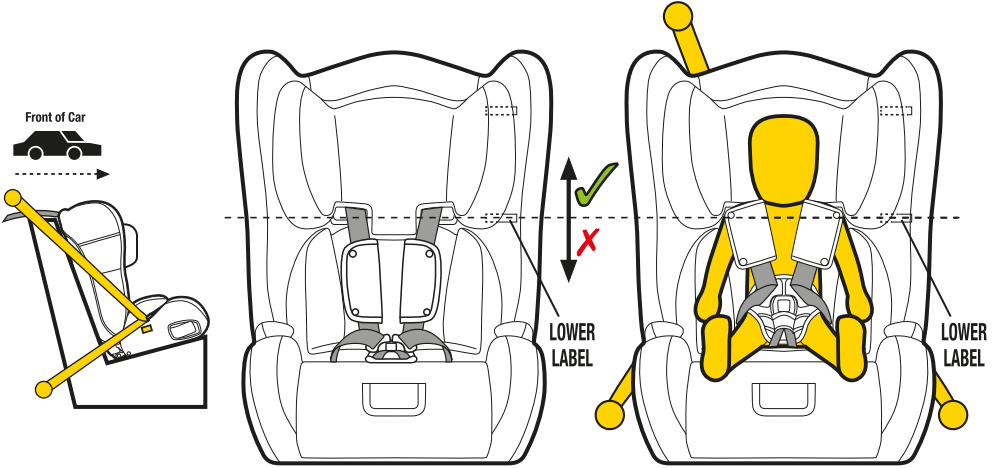
- *Diagrams are indicative of type of paddings and inserts and may not resemble the actual product.
- *Padded inserts can vary according to model (If supplied).
- We reserve the right to alter this product without notice.

*For detailed description and method of attachment for padded accessories refer to Accessories on Page 30-33.

Shoulder Height Markers

Smaller Child

Shoulder height markers are provided on this restraint for a visual indication that the child is safe to travel in this restraint.
 Shoulder height markers may be hidden under a headrest in the lowest position.



Smaller Child from approximately 6 months of age

Do not use a forward-facing child restraint until the child's shoulders are **ABOVE** the lower shoulder height marker (lower label).

LOWER LABEL



IMPORTANT

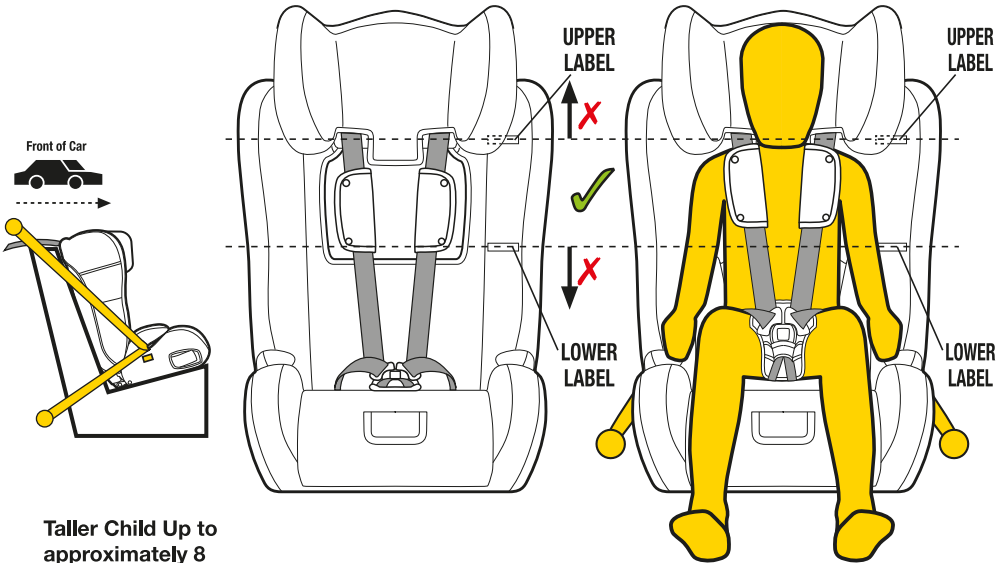
When using the inbuilt harness the child's shoulders must be in-line or above this marker

If moving a child from rearward-facing child restraint, to forward facing child restraint the child's shoulders will need to be in-line or above the lower label. If the child's shoulders are below the lower label or if the baby's neck muscles are unable to support their head, then the child should remain rearward-facing.

Shoulder Height Markers

Taller Child

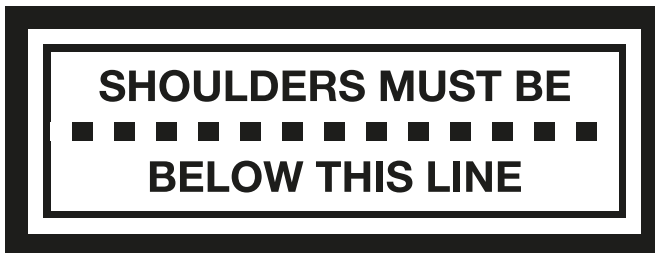
Shoulder height markers may be hidden under a headrest in the lowest position



Taller Child Up to approximately 8 years of age

Continue to use this forward-facing child restraint until the child's shoulders **REACH** the Upper shoulder height marker.

UPPER LABEL



Children are at risk of serious injury if they move to booster seats too early.

Children that have outgrown the forward-facing child restraint are safest in a booster seat until their shoulders reach the upper shoulder height marker of the booster seat.

The child restraint is unsuitable for the occupant when the shoulders are above the upper marker. The child needs to be moved into the next form of child restraint eg. Type E booster seat or Type F booster seat when they reach the top shoulder height marker.

For the next child restraint refer to the Restraint Guide on page 5 and 11.

Next Restraint

Next Type of Restraint

Refer to the 'RESTRAINT GUIDE' for the selection for the most appropriate next restraint (refer Page 5). When the child has outgrown the child car seat, then you can use either of the following;

- **Booster seat** - Larger Type (E) or Type (F) booster seat with vehicle lap-sash seatbelt.
- **Vehicle Seat Belt** - Use the "Five Step Test" to determine whether your child is big enough to use the vehicle's seat belt assembly.

Five Step Test

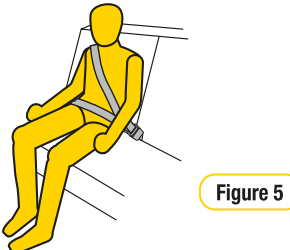
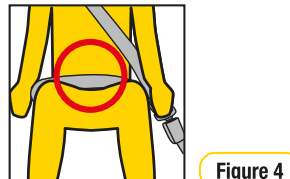
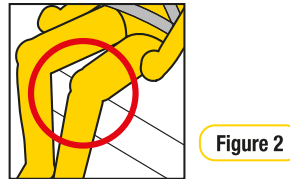
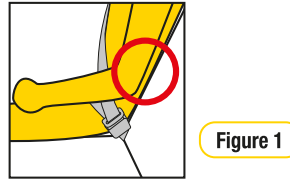
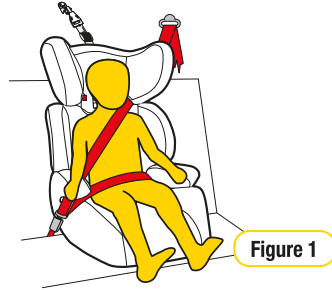
Step 1: Can the child sit with their back against the vehicle seat back? (refer Figure 1).

Step 2: Do the child's knees bend in front of the edge of the seat? (refer Figure 2).

Step 3: Does the sash (shoulder) belt sit across the middle of the shoulder, not on the neck or out near the arm? (refer Figure 3).

Step 4: Is the lap belt sitting low across the hips touching the thighs? (refer Figure 4).

Step 5: Can the child stay seated like this for the whole trip? (refer Figure 5).



Set Up

Adjusting Recline Angle

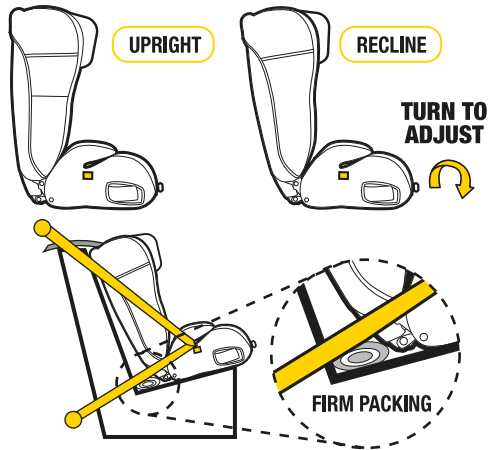
Determine what restraint angle is preferred for the best installation of this restraint & comfort of your child.

TO RECLINE

Turn the adjustment knob until the desired recline angle is achieved.

Note:

For some vehicles place a firm packing (ie packing can be firmly rolled up towel or nappy) between the vehicle seat and the backside of the restraint.



Headrest & Harness Strap Height Adjustment

Step 1: Loosen the harness straps before adjusting the headrest.

You do not need to remove the restraint from the vehicle to adjust the harness or headrest positions.

Step 2: To adjust the headrest, lift the “TWIST & LIFT” flap on the headrest cover. Turn the red “TWIST & LIFT” knob clockwise to unlock the headrest (refer Figure 1).

Step 3: Lift up or push down the headrest so that the shoulder strap slots are level with or slightly above your child’s shoulders. If the headrest is just above the shoulders then the harness level will be correct (refer Figure 2).

Step 4: Release “TWIST & LIFT” knob so that it locks into position. Ensure that it has locked in position by gently pushing down on the headrest.

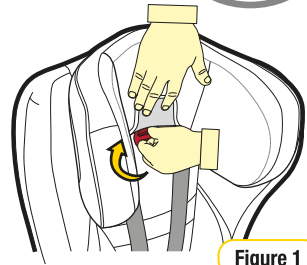


Figure 1

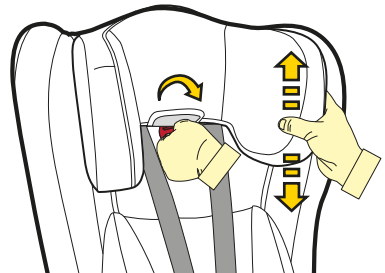


Figure 2



IMPORTANT

- For comfort ensure the bottom edges of the headrest are not contacting the child’s shoulders.
- When lowering the headrest ensure the headrest apron does not bunch up behind the child’s neck.

Set Up

Headrest & Harness Strap Height Adjustment Cont...

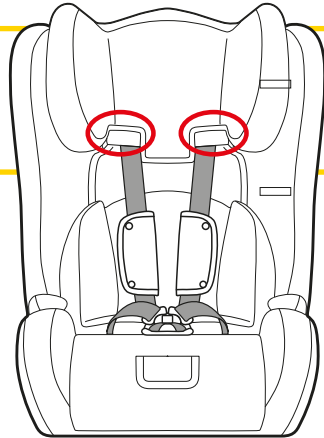


IMPORTANT

ENSURE THE HARNESS STRAPS ARE ALWAYS THREADED THROUGH THE HEADREST.

Correct fitment of the harness is very important as it restrains the child in the restraint. The harness must fit firmly around the upper torso of the child and be positioned to ensure the child's arms and legs are free.

Always adjust the height of the shoulder straps as the child grows, by adjusting the headrest height.



IMPORTANT

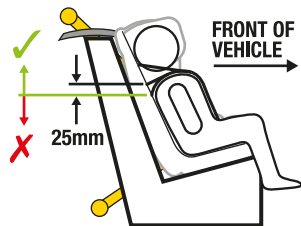
- IF THE CHILD'S SHOULDERS TOUCH THE BOTTOM EDGES OF THE HEADREST SIDE WINGS, RAISE THE HEADREST TO THE NEXT HEADREST POSITION.
- THIS CHILD RESTRAINT DOES NOT REQUIRE THE STRAPS TO BE DISCONNECTED TO ADJUST THEIR HEIGHT, ONLY THE HEADREST NEEDS TO BE MOVED TO ADJUST THE SHOULDER STRAP POSITIONS.

The correct height for the shoulder straps is very important for the optimum performance of the restraint. The shoulder straps must be positioned nearest to the child's shoulders, but not more than 25mm below the child's shoulders.



IMPORTANT

The shoulder straps must be positioned nearest to the child's shoulders, but not more than 25mm below the child's shoulders.



There is only one set of slots so the seat will always have the shoulder straps in place once the headrest is positioned correctly, just above the child's shoulders.

Setup

Buckle Height Adjustment

The buckle is supplied in a shortened position, if you want to alter the buckle height the following steps are required.

Step 1: Lift the buckle and determine the required buckle height (refer Figure 1).

Step 2: To alter the buckle height
- Fold the flap forward and expose the adjustment plate.

Step 3: Lift the adjustment plate

Step 4: Adjust the webbing.
-To shorten the buckle 'Pull' excess webbing through the central plate.
-To lengthen the buckle 'Push' excess webbing through the central 3 bar plate.

Note: Do not shorten the buckle strap beyond the red indicator mark on the strap.

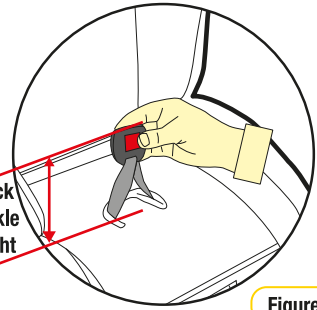


Figure 1

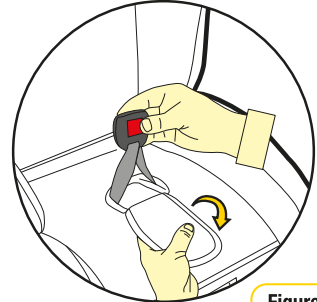


Figure 2

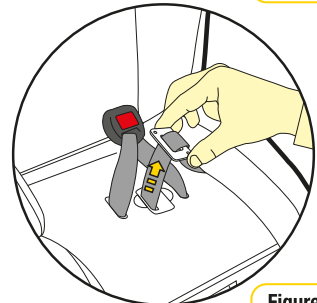


Figure 3

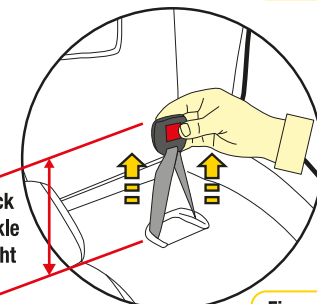
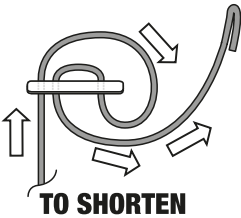
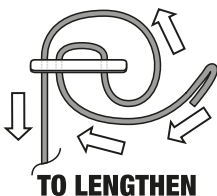


Figure 4



Note: When shortening the buckle ensure the buckle tongues have clearance above the upper thigh (refer page 21).



Installation

Installing Using Vehicle Seatbelt

Step 1: Place the child restraint in desired upright or reclined position, with the back against the back of the vehicle seat, directly in line with the anchorage point (refer Figure 1).



IMPORTANT

Ensure that you use the **FORWARD-FACING BELT PATH** identified by the following label.



Step 2: Fold the rear of seat base cover and foam forward to expose the seating surface of the base (refer Figure 2).

Fully extend the seat belt and pass the lap and sash sections of the vehicle belt under the first armrest, across the seat base ensuring you pass the seat belt beneath the tongue in the plastic moulding (refer Figure 4 & 5) then under the second armrest, **“CLICK”** the buckle tongue into the buckle (Refer to Figure 2, 3 & 4).

Important notes: The vehicle belt is now located across the seat base. The belt path is shown by the arrows in Figure 3 & 4.

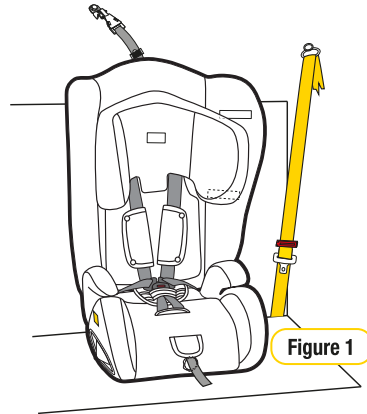


Figure 1

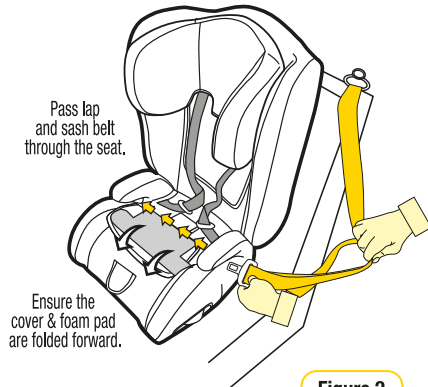


Figure 2

Installation

Installing Using Vehicle Seatbelt



IMPORTANT

Ensure that you use the **FORWARD-FACING BELT PATH** identified by the following label.

FORWARD-FACING BELT PATH

← **THREAD BELT BENEATH THIS TONGUE** →

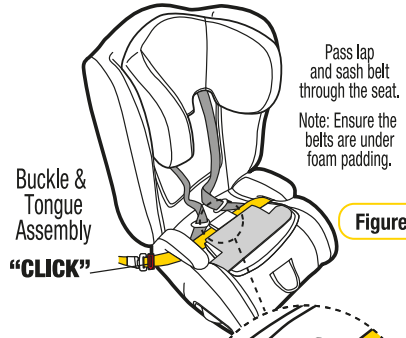


Figure 3

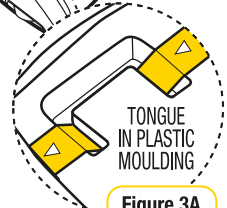


Figure 3A

Step 3: Push down on the base of the restraint (with knee or hand) whilst pulling the sash section of the vehicle belt firmly up in direction of the yellow arrow in figure 4. This will make the lap belt very tight across the seat base. Whilst continuing to pull the sash section up (i.e maintaining tightness of the lap section), Tighten sash section of belt across the base (refer Figure 6).

Step 4: Ensure the excess slack in the sash belt, is fed back towards the seat belt.



Figure 4

Installation

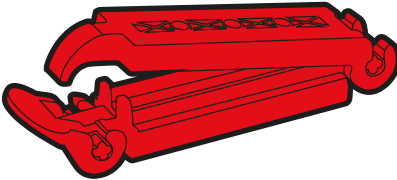
Installing Using Vehicle Seatbelt

Safe Grip (if supplied)

*Can be purchased separately visit <http://store.infasecure.com.au/>

SAFE GRIP BELT CLAMP

The **Safe Grip** (red belt clamp) **locks the lap belt** to ensure a firm installation, and avoids slack in the lap belt.



To install the **Safe Grip** (red belt clamp), open it and clamp the “sash section” **ONLY** of the vehicle seat belt by closing the barrel section of the red belt clamp in the direction of arrow 1 in Figure 5 and then locking with the toggle section by pushing in the direction of arrow 2 in Figure 5 when the **Safe Grip** (red belt clamp) is secured in place, the lap section is now tightly holding your child restraint in place, independent of the sash section. The **Safe Grip** (red belt clamp) must be removed when the child restraint is not installed to allow other users to use the seat belt as a lap/sash seat belt. Always keep the **Safe Grip** (red belt clamp) in pocket provided when not in use.

NOTE: Do not place the **Safe Grip** (red belt clamp) around both the lap and sash sections of the belt. This could cause the **Safe Grip** (red belt clamp) to break.

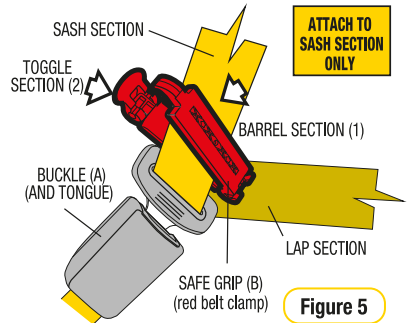


Figure 5

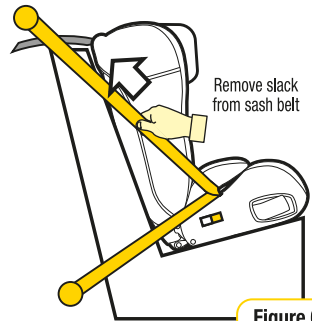


Figure 6

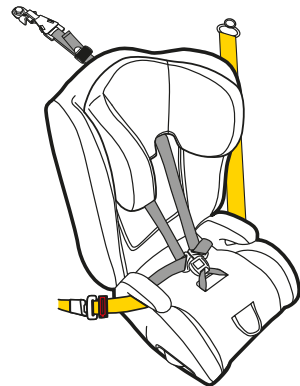


Figure 7

Alternate Installation

Alternative Installation

To enable the most convenient installation of your new CS9013 restraint, the following alternative method of installation is provided. This method will ensure that you can remove all covers for washing without having to uninstall the restraint. When preparing for installation using the following steps:

- Step 1:** Unclip the press studs on the side of the seat base (refer Figure 1.1).
- Step 2:** Fold the armrest covers forward to expose the plastic armrests & base (refer Figure 1.2).
- Step 3:** Rotate the vehicle seat belt through the armrest, passing it across the shell and then pass it out through the other side of the seat (refer Figure 1.3).
- Step 4:** If the vehicle seat belt is long enough, it could be passed under the tongue in the centre of the seat (refer page 16).
- Step 5:** Connect the seat belt by inserting the tongue into the buckle.
- Step 6:** Remove all slack from the seat belt;
- First feed all lap belt slack through to the buckle.
 - Then feed all slack back through the sash belt (towards the seatbelts anchorage point in the vehicle).
- Step 7:** Fold the armrest cover back over the armrest and secure the front press stud (the rear press stud can remain unclipped) (refer Figure 1.4).

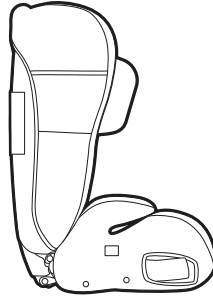


Figure 1.1

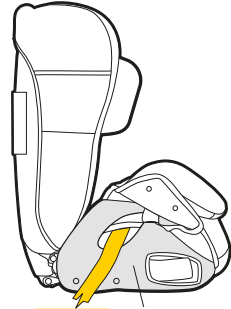


Figure 1.2

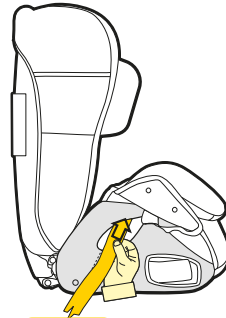
EXPOSED
PLASTIC
SHELL

Figure 1.3

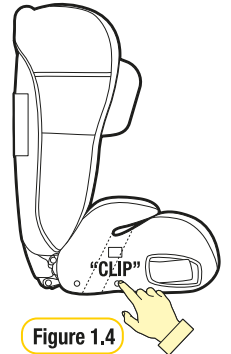


Figure 1.4

Installation

Installing Using Top Tether Strap

Note: If no upper anchorage fitting is available refer to Pages 37 & 38.

Step 5: Hook the attachment clip to the anchor fitting. Ensure there are no twists in the top tether strap (refer to Figure 8).

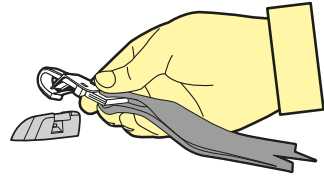


Figure 8

Step 6: Pull to tighten to remove all the slack, from the upper anchorage strap. Do not overtighten as this could cause the restraint to lift off the vehicle seat (refer to Figure 9).

NOTE

FOLLOWING THE INSTALLATION OF THE CHILD RESTRAINT A SMALL AMOUNT OF MOVEMENT IS DEEMED ACCEPTABLE.

CAUTION: CHILDREN CAN BE INJURED OR RESTRAINTS AND TOP TETHER STRAP DAMAGED BY UNSECURED CARGO IN A COLLISION. SECURE OR REMOVE HAZARDOUS CARGO BEFORE USING THIS CHILD RESTRAINT.

Always secure the loose end of the top tether strap to prevent it hanging out of the car or being accessible by the child.

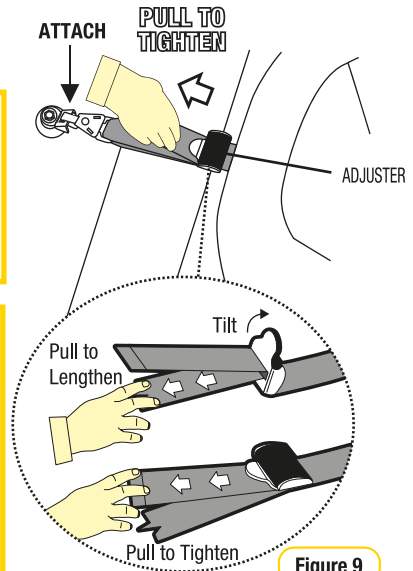


Figure 9

Installation

Installing Using Top Tether Strap



WARNING

- Always use Top Tether strap to attach the child restraint to the vehicle.
- Do not use the restraint without the Top Tether strap correctly attached and adjusted.
- Do not use on any vehicle seat which faces sideways or rearwards.
- IF AN AIRBAG IS FITTED IN THE SEATING POSITION WHERE THE CHILD RESTRAINT IS TO BE FITTED, FOLLOW THE VEHICLE MANUFACTURER'S WARNINGS AND INSTRUCTIONS.
- Fit the restraint firmly to the car seat.

Tether Storage

After correctly installing the restraint in your car, roll up and place any excess strap in the storage pocket provided.

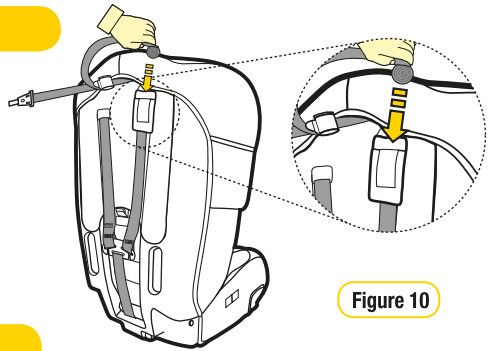


Figure 10

(Using Lap Seat Belt)

Step 1: Follow the instructions covered by “Installing in Vehicle (Using lap sash seat belt)” Steps 1 to 4 (refer Pages 15 - 18).

Note: Do not use the Safe Grip (Red belt clamp) as there is no sash section of the seat belt.

Use

Using In-Built Harness

- Step 1:** Ensure the restraint has been installed and set up as per “Set Up” and “Installation” (refer Page 12 - 18)
- Step 2:** To lengthen the harness “LIFT” the harness adjuster (A) (refer Figure 1) whilst grasping both shoulder harness straps and pulling. Ensure shoulder straps are pulled equally on each side.
- Step 3:** Lay the two harness straps (with tongues) to the sides of the child restraint (refer Figure 1).
- Step 4:** Place child in car seat with legs either side of the buckle, place harness over the shoulders and hips.

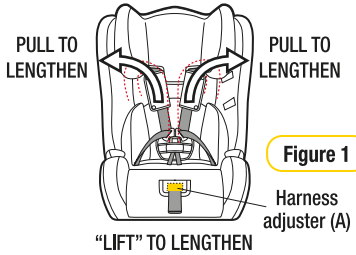


Figure 1

Note: Ensure the child is correctly seated, back into the restraint.

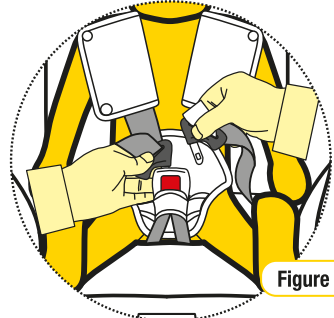
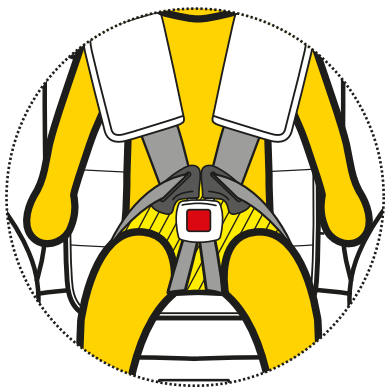


Figure 2

! IMPORTANT
KEEP BUCKLE LOW AS POSSIBLE
 Always ensure buckle has clearance from the upper thighs (see indicated area Figure 3).



Use

Using In-Built Harness

Step 5: Insert either tongue into the buckle followed by the other tongue until a **“CLICK”** is heard. Should the second tongue not insert, press the red button and reinsert the tongues. Ensure secure engagement by pulling the harness strap (refer Figure 2 and 4).

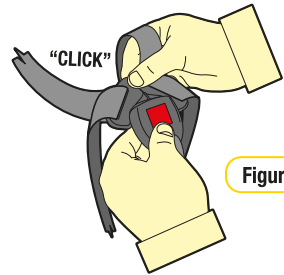
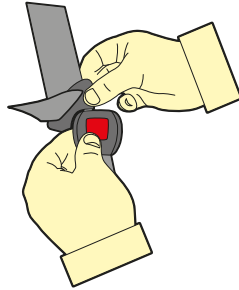
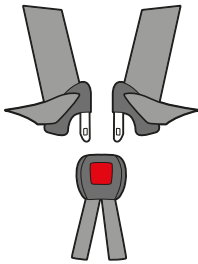


Figure 3

Step 6: Remove all of the slack for the harness lap straps by pulling shoulder straps, then pull the harness adjustment strap to adjust harness to a comfortable but firm fit (refer Figure 4).

**IMPORTANT**

If no “Click” can be heard or a secure engagement cannot be achieved refer to Cleaning Harness Buckle pages 27 & 28.

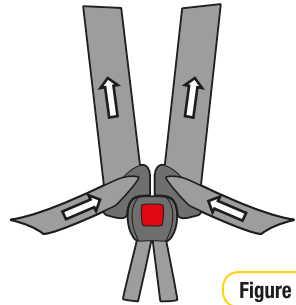


Figure 4

Use

Using In-Built Harness

- Step 7:**
- Ensure buckle is adjusted centrally in relation to the child. Adjust if necessary.
 - Check that the slack in the straps is removed.
 - The harness shoulder straps must fit firmly to the child.
 - A loose harness could result in serious injury in an accident.



WARNINGS

- **DO NOT LEAVE CHILDREN UNATTENDED IN THE CAR.**
- Fit the harness firmly to the child.
- **A LOOSE RESTRAINT OR HARNESS IS DANGEROUS.**

- Step 8:** Check the harness tightness by the **PINCH TEST**, this is achieved by pinching the harness webbing at the shoulders (refer Figure 6)

- If you can pinch the harness strap, tighten more.
- If your fingers slip off, then the harness is tight enough.

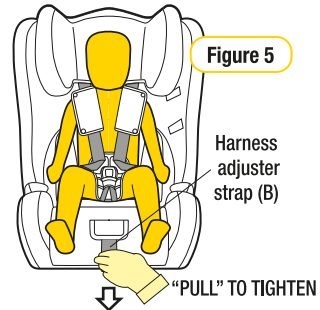


Figure 5

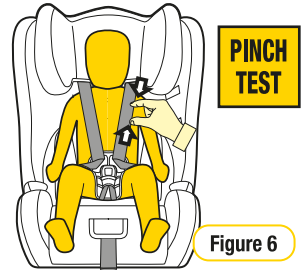
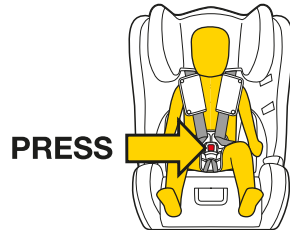


Figure 6

To Release Child

- Step 1:** To release your child from the restraint simply press the buckle and lift the shoulder straps from the child's shoulders and carefully remove your child from the seat.

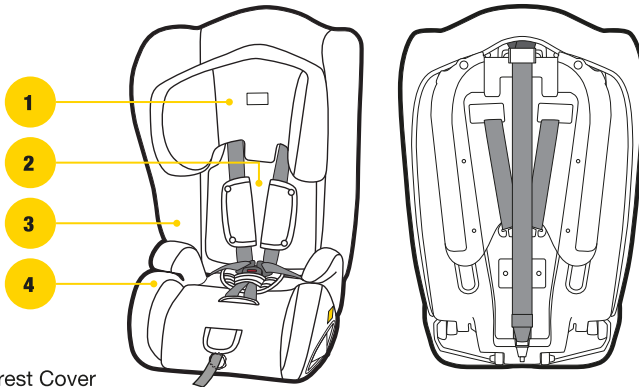


WARNINGS

- Always use a lap or lap-sash seat belt and upper anchorage strap to attach the child restraint to the vehicle.
- Do not use the restraint without the upper anchorage strap correctly attached and adjusted.
- Do not use on any vehicle seat which faces sideways or rearwards.
- **IF AN AIRBAG IS FITTED IN THE SEATING POSITION WHERE THE CHILD RESTRAINT IS TO BE FITTED, FOLLOW THE VEHICLE MANUFACTURER'S WARNINGS AND INSTRUCTIONS.**
- Do not use the restraint if the buckle is sluggish or does not provide an audible "Click" refer to Cleaning Instructions on pages 27 & 28.

Care of Restraint

The child restraint cover has been manufactured to meet the Australian Standards requirements for flammability and toxicity to ensure your child's safety. The cover has also been designed to provide your child with comfort and support.



1. Headrest Cover
2. Apron Cover
3. Backrest Cover
4. Seatbase Cover

VERY IMPORTANT

Only replace the cover with a InfaSecure supplied replacement cover with identical shoulder height markers or a replacement cover meeting AS/NZS 8005.

Care and Maintenance

Regular care of the restraint will ensure safety of your child.

- Check the webbing for fraying.
- Check the upper anchorage attachment clip to ensure retainer clip is still present.
- Ensure there are no cracks in moulding or the plastic moulding.
- Check the buckles “click” when you engage tongues and is not sluggish or sticky in operation.
- Ensure the buckle is free of fluff, liquid, or other matter that may enter the buckle slots. Clean the buckle if it is sluggish to engage (refer Cleaning Harness Buckle Pages 27 & 28).
- Check the harness adjuster is operating and is clamping the webbing
- If any part of the restraint is cracked or broken, seek repair immediately or replace the child restraint.

Cleaning



IMPORTANT

Use only mild soap and water to clean all parts of the CS9013 Child Car Seat.
Do not use chemicals or cleaning agents
Cold water only to be used and to be rinsed well
Do not dry clean or tumble dry
Do not bleach.

Covers

The restraint has a flame retardant cover which is removable for cleaning. Cleaning instructions are on the care label attached to the cover. If a fluffy cover is fitted, then washing the cover prior to use will remove excess fluff.

The cover has been designed to protect your child when seated in the restraint. Care should be taken if children either eat or drink while in the restraint as some food or drink products may cause damage or marking to the cover. Wash or clean immediately. Do not pull sticky items from covers as the cover may be damaged - soak in water and gently remove.

Only machine wash on gentle cycle (hand washing is recommended). When washing the covers, ensure the hook and loop attachment strips are connected to eliminate other materials or garments being caught. Ensure that the hook and loop attachment strips are free of lint, this will ensure a positive engagement.

Seat + Hardware

Use only mild soap and water to clean all webbing, metal and plastic parts of the restraint using a damp cloth.
Do not use chemicals or cleaning agents.

Harness Straps

Use only mild soap and water to clean all straps, using a damp cloth, you should avoid soaking the harness straps however they must be thoroughly dried (without excessive heat or never tumble dry). The harness straps should not be placed in a washing machine as this may cause damage to the stitching or even damage your washing machine.
Do not use chemicals or cleaning agents.

Cleaning

Harness Buckle

If sticky liquids such as baby formula, fruit juice, etc. get inside your Buckle, it may become sluggish. An indication of a sluggish buckle is that you cannot hear a “CLICK” when engaging the Harness Tongues. To restore the Buckle to good working order it needs to be cleaned as follows:

- Step 1:** From the underside of the restraint remove the inspection plate (6 x screws) (refer Figure 1).
- Step 2:** Remove small screw securing the 3-bar plate (refer Figure 2).
- Step 3:** Pull the crotch 3-bar plate then turn 3-bar slide and push through the slot to remove the Buckle from one side of the restraint (refer Figure 3).
- Step 4:** From above the restraint pull the Buckle adjusting plate then turn and push the plate through the centre slot.
- Step 5:** From the underside of the restraint turn the Buckle adjusting plate and push through the right hand slot to remove the Buckle from the restraint (refer Figure 4).

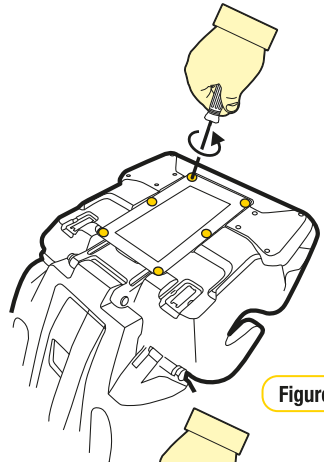


Figure 1

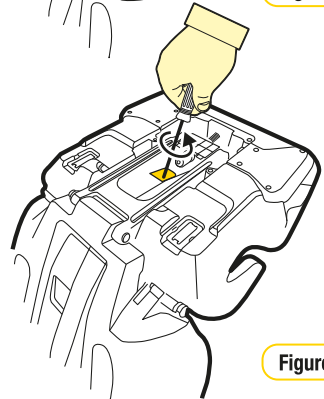


Figure 2

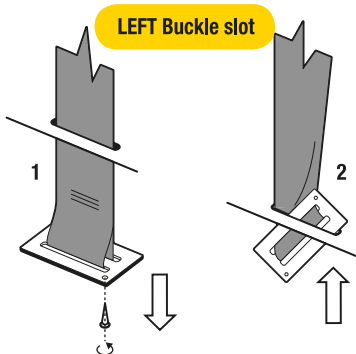


Figure 3

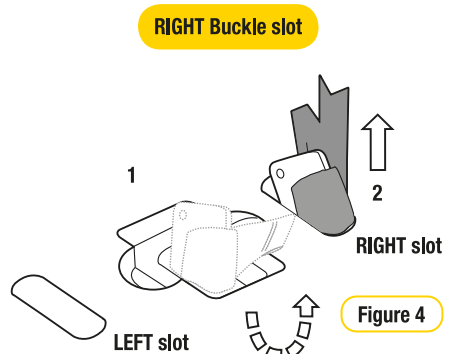


Figure 4

Cleaning

Harness Buckle

Step 6: Place the Buckle under warm (max. 40 degrees Celsius) running water as shown below. Let the water run through the mouth of the buckle for five minutes. Do not immerse the harness in water (refer Figure 5).

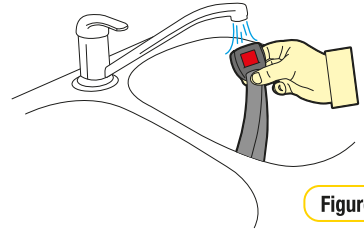


Figure 5

Step 7: Engage and disengage the Tongues and Buckles several times until a strong audible “CLICK” is heard when inserting the last tongue (refer Figure 6).

Step 8: If you still cannot hear a strong audible click after engaging the Tongues and Buckle, then repeat cleaning several times. If the Buckle cannot be returned to its original working condition then contact InfaSecure Customer Care.

Step 9: If in working order refit the Buckle to the restraint with the red button facing out and feeding each 3-bar plate through appropriate slot (refer Figure 7).

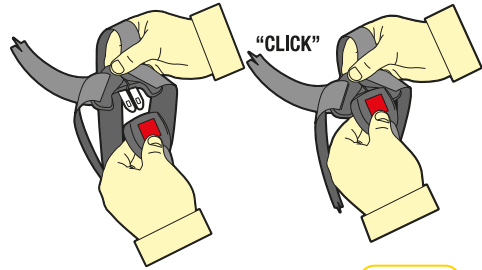


Figure 6

Step 10: Turn the Buckle adjusting plate and push through the right hand slot (refer Figure 7 & 8).

Step 11: Turn the Buckle 3 bar plate and push through the left hand slot (refer Figure 7 & 9).

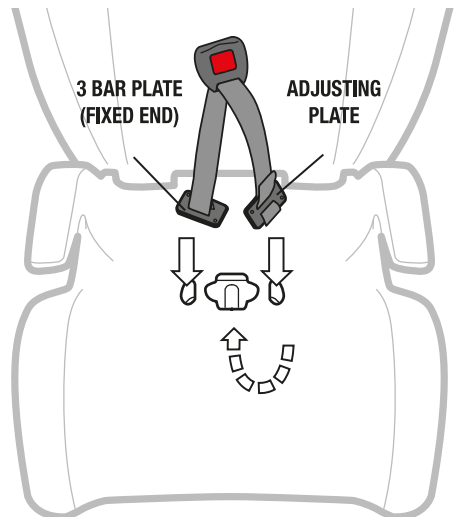


Figure 7

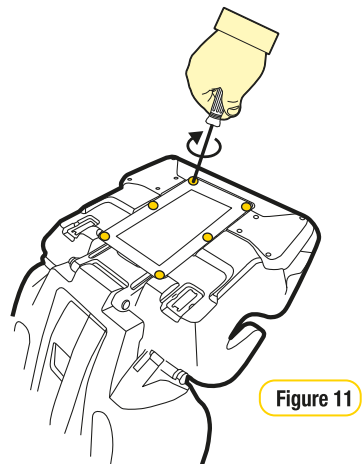
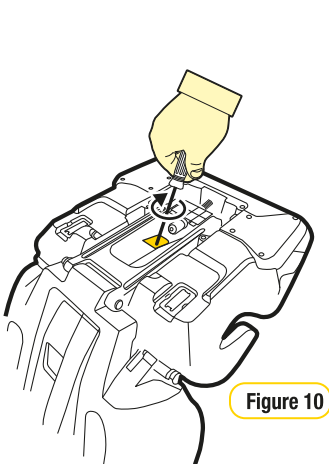
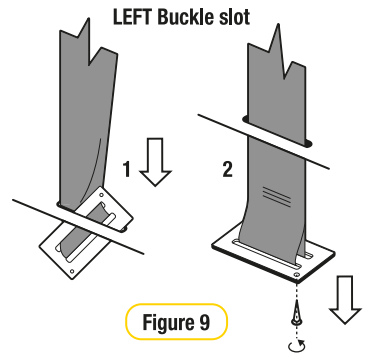
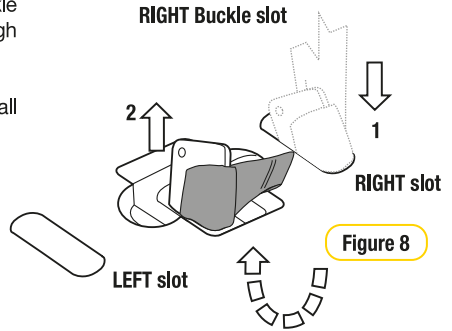
Cleaning

Harness Buckle

Step 12: From the underside of the restraint pull the Buckle adjusting plate then turn and push the plate up through the centre slot (refer Figure 8).

Step 13: From the underside of the restraint replace the small screw securing the 3-bar plate (refer Figure 10).

Step 14: From the underside of the restraint replace the inspection plate (6 x screws) (refer Figure 11).



Remove Covers

Headrest

Step 1: Raise the headrest to highest position (refer Figure 1).

Step 2: Unclip the press studs located;

- 1 underside of headrest
- 2 behind headrest

Step 3: Remove cover

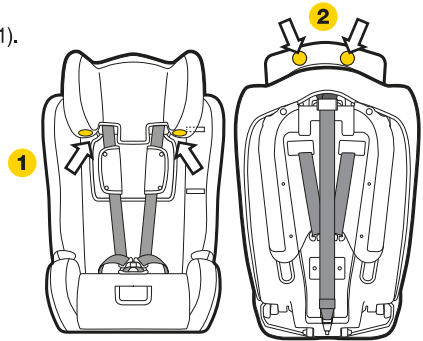


Figure 1

Apron

Step 1: Unclip the press studs location 1 (refer Figure 2).

Step 2: Slide cover off the plastic apron to remove.

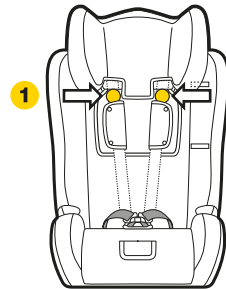


Figure 2

Backrest

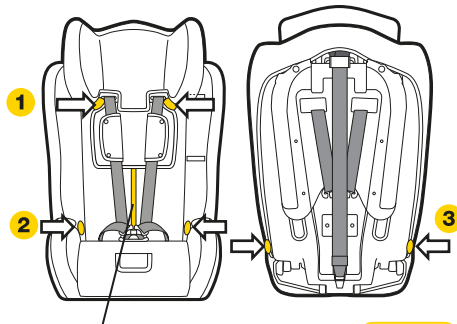
Step 1: Raise the headrest to highest position to access press studs.

Step 2: Unclip the press studs location 1 (refer Figure 3).
NOTE: press studs may be obscured by headrest.

Step 3: Unclip the press studs located;

- 2 inside
- 3 outside

Step 4: Disconnect the 4 hook & loop connector located below the headrest/apron and remove the cover (refer Figure 3).



4 HOOK & LOOP CONNECTOR

Figure 3

Remove Covers

Seatbase

Step 1: Fold the Buckle flap forward and pass the buckle through the cover.

Step 2: Unclip the press studs located (refer Figure 4);

1 each side inner

2 each side outer

Step 3: Remove cover.

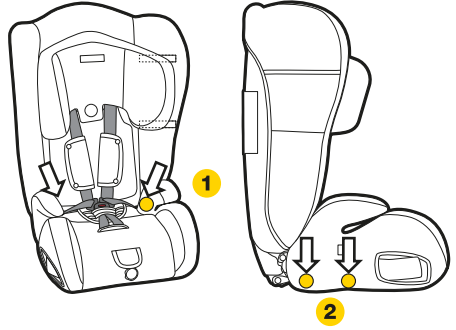


Figure 4

Replace Covers

Headrest

Step 1: Raise the headrest to highest position (refer Figure 1).

Step 2: Slide the cover over the headrest

Step 3: Clip the press studs located;

- 1 Underside of headrest
- 2 Behind headrest

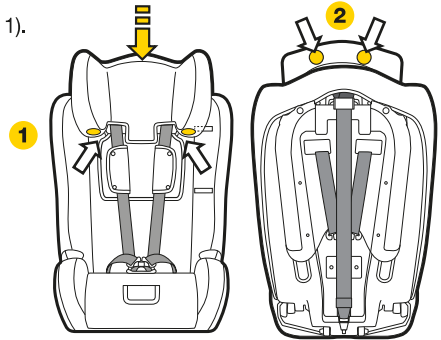


Figure 1

Apron

Step 1: Slide the cover up and over the plastic apron (refer Figure 2).

Note: Ensure the comfort pad is in front of the plastic apron.

Step 2: Clip the press studs location 1.

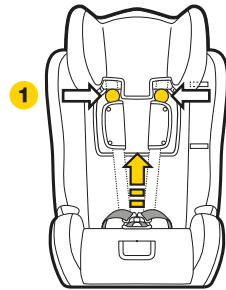


Figure 2

Seatbase

Step 1: Slide the cover on to the seatbase (refer Figure 3).

Step 2: Fold the Buckle flap forward and pass the buckle through the cover.

Step 3: Clip the press studs located;

- 1 each side inner
- 2 each side outer

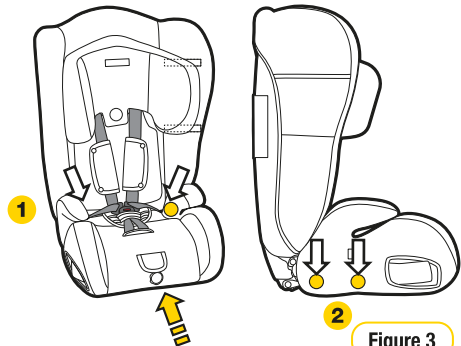


Figure 3

Replace Covers

Backrest

- Step 1:** Raise the headrest to highest position to access press studs.
- Step 2:** Slide the cover over the seatback and behind the headrest (refer Figure 4).
- Step 3:** Clip the press studs location **1** (refer Figure 5).
NOTE: press studs may be obscured by headrest.
- Step 4:** Clip the press studs located;
- 2** inside
 - 3** outside
- Step 5:** Attach the **4** hook & loop connector located below the headrest/apron and secure the cover (refer Figure 5).

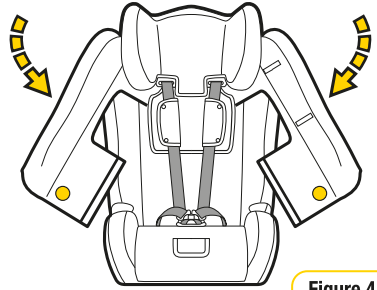
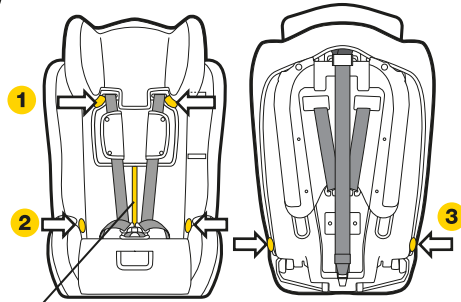


Figure 4



4 HOOK & LOOP CONNECTOR

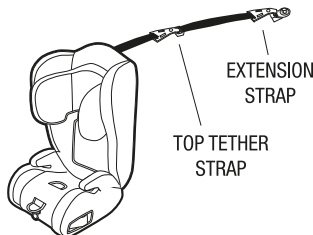
Figure 5

Extension Straps

If required contact InfaSecure for nearest supply location. Extension straps, not included in this package, may be required for vehicles without a fixed parcel shelf.

TYPE G

CHILD SEAT



EXTENSION STRAP
TOP TETHER STRAP

Re order line numbers

CS111	300mm Length
CS112	600mm Length
CS113	200 - 900mm Adjustable Length

Accessories

Follow the instructions covering the use of accessories provided with this child restraint or spare parts provided by InfaSecure for this restraint.

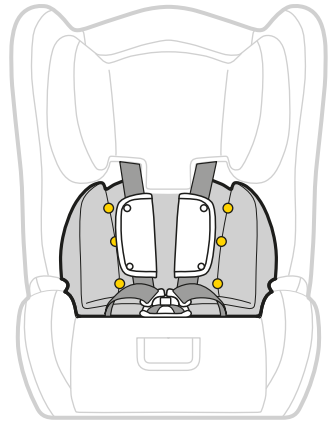
IMPORTANT

Use of unauthorised aftermarket accessories (i.e items not provided in this box with the child restraint), can reduce the safety provided by the child restraint and may cause injury or death.

PADDED INSERTS (if fitted)

The padded inserts are designed to add extra comfort for your child.

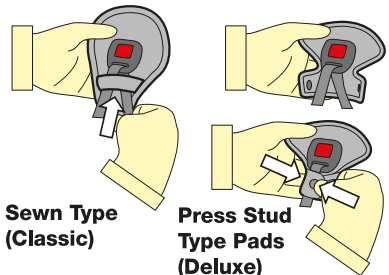
- Step 1:** Press to release Buckle tongues.
- Step 2:** Open the “press studs” and position the padded insert in the seat.
- Step 3:** Pass the harness straps over the insert and connect the “press studs”.
- Step 4:** Pull the Buckle and leg straps through the slot or opening in the insert.
- Step 5:** Connect both tongues into the buckle.



BUCKLE PAD (if fitted)

The buckle pad is designed to add extra comfort for baby or child.

- Step 1:** Position the buckle pad behind the buckle and clip in the front. The release button should be clearly visible.



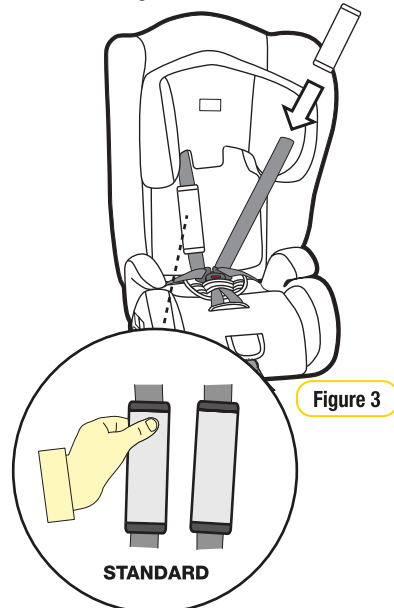
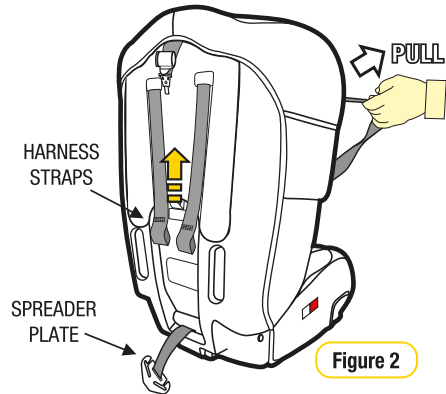
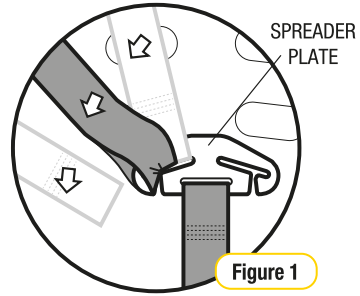
Accessories

SHOULDER PADS (if fitted)

The shoulder pad is designed to add extra comfort for baby or child.

STANDARD

- Step 1:** Turn the restraint so that the back of the seat is facing you.
- Step 2:** Remove each shoulder harness through the gates in the spreader plate (refer Figure 1 & 2).
- Step 3:** Pull the shoulder harness straps through the shoulder slot holes in the seat body and cover. They are now loose in the front of the seat (refer Figure 2).
- Step 4:** To attach shoulder pads, slide the shoulder pad over the harness straps (refer Figure 3).



Accessories

SHOULDER PADS (if fitted)

Step 5: Raise the headrest to the highest position.

Note: Shoulder slots in headrest align with slots in backrest (refer Figure 4).

Step 6: Pass the shoulder straps through the slots of the headrest and backrest. Harness straps should protrude through the back of the restraint (refer Figure 5).

Step 7: Reconnect the shoulder straps through the gates in the spreader plate (refer Figure 6).

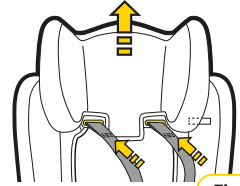


Figure 4

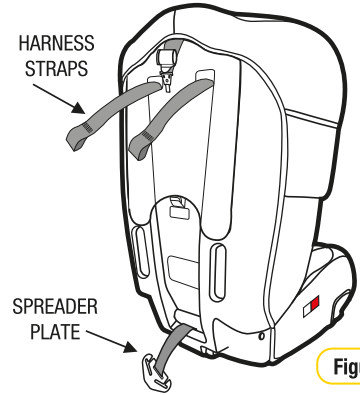


Figure 5

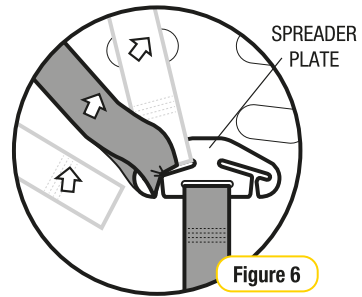
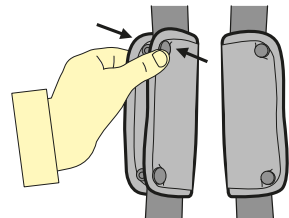


Figure 6

DELUXE

Step 1: Separate press-studs and remove the shoulder pads from harness

Step 2: To attach shoulder pads, ensure press studs face away from the child and re-attach.



DELUXE

Accessories

SEAT PROTECTOR (if fitted)

The seat protector is designed to protect your car's seat.

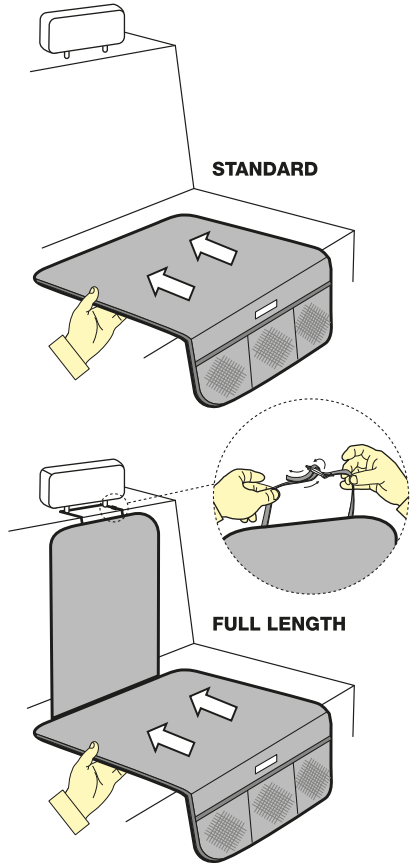
STANDARD

Step 1: Position the front flap with pockets, at the front of the rear seat and position the mat rearwards to obtain a flat fit.

FULL LENGTH

Step 1: Position the front flap with pockets, at the front of the rear seat and position the mat rearwards to obtain a flat fit. (If required an additional flap has been provided to tuck in between the seat back & cushion)

Step 2: Position the back section up the seat back and use the plastic buckle & webbing strap to attach around the vehicle seat headrest (if the rear vehicle seat does not have a headrest then the strap could be used to attach around the child seats top tether after you have installed the child seat).



Anchorage Fittings

Some vehicles may have an anchor fitting already fitted by the vehicle manufacturer.

If no anchorage points can be found refer to the vehicle manufacturer, or an authorised child restraint fitting station for the best location of an anchorage point.

Refer to the vehicle owners handbook or child restraint fitting station for the possible use of spacers.

Some vehicles may require the use of additional extension straps (not supplied with this child restraint)

If so ring InfaSecure on (Aust) (02) 4728 8080 for nearest supply location.

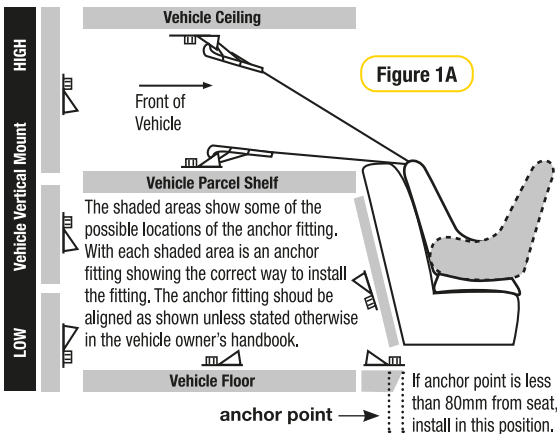
ADDITIONAL EXTENSION STRAPS AVAILABLE:
 CS111 300mm Extension strap
 CS112 600mm Extension strap
 CS113 200 - 900mm Adjustable Extension strap

! WARNINGS

- Top tether strap and attachment clip must always be used
- Always ensure that the upper attachment clip is correctly engaged to the anchor fitting
- THIS RESTRAINT MUST BE ATTACHED TO A CHILD RESTRAINT ANCHORAGE POINT IN THE CAR. REFER TO CAR OWNER'S HANDBOOK FOR LOCATION OF ANCHORAGE POINTS. REFER TO A CHILD RESTRAINT FITTING STATION IF NO CAR ANCHORAGE POINTS ARE IN THE MOTOR CAR.
- THIS RESTRAINT IS NOT SUITABLE FOR USE WHERE TOP TETHER STRAP MAY FALL INTO A SPLIT IN THE SEAT BACK OR OFF THE SIDE OF THE SEAT.

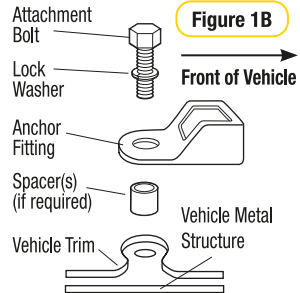
For cars fitted with a child restraint anchorage point

THIS RESTRAINT MUST BE ATTACHED TO A CHILD RESTRAINT ANCHORAGE POINT IN THE CAR. LOCATE THE ANCHORAGE POINT BEHIND THE REAR SEATING POSITION CONSULT THE CAR OWNER'S HANDBOOK FOR LOCATION OF ANCHORAGE POINTS. REMOVE THE THREAD PLUG FROM THE PARCEL SHELF/FLOOR/ROOF AND INSTALL THE ATTACHMENT BOLT AS SHOWN IN FIGURE 1A & 1B.



WARNING: If A.D.R. anchorage point is recessed, spacer(s) may be required. Spacer Part No's are as follows:
 10mm - CCS001;
 5mm - CCS002

UPPER ANCHORAGE FITTINGS



CAUTION: DO NOT OVERTIGHTEN ATTACHMENT BOLT. MAXIMUM TORQUE IS 20NM.

Anchorage Fittings

For cars not fitted with a child restraint anchorage point

For Sedans Only

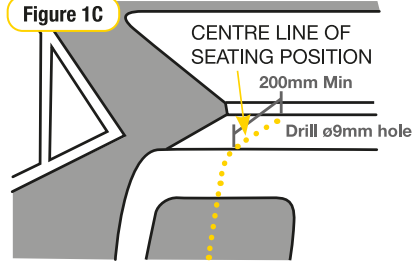
Drill a 9mm diameter hole in the parcel shelf on the centre line of the seating position as shown in Figure 1C. Hole must be no closer than 200mm from the front of the back seat. Install the anchor bolt as shown in Figure 1D.

Note to Queensland purchases: The installation of anchorage points must be approved by authorised officers appointed by Queensland Transport. Authorised officers can be sourced from all Queensland Transport Customer Service and Queensland Ambulance Service Centres.

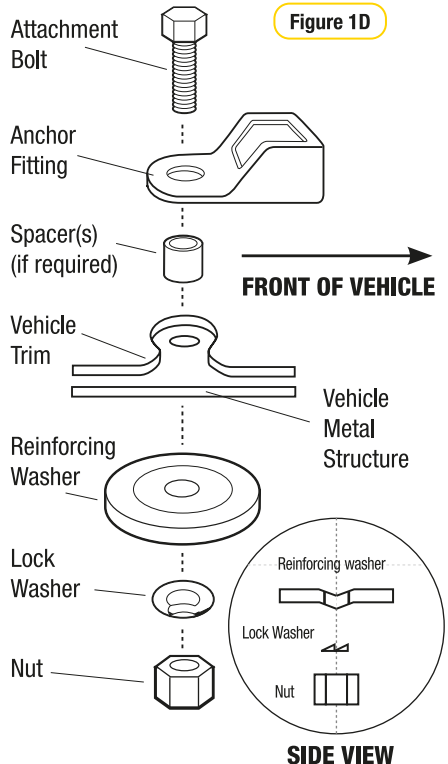
For Vehicles other than Sedans

In Australia, consult your nearest child restraint fitting station of traffic authority for vehicle inspection to find the best, correct position for the placement of the anchorage point, and for the correct attachment bolt length use of spacers.

In New Zealand consult the agent of the vehicle.



UPPER ANCHORAGE FITTINGS FOR SEDANS ONLY



WARNINGS

CHILD RESTRAINTS MUST NOT BE ATTACHED TO UNSOUND METAL OR WOOD OR SYNTHETIC STRUCTURES. WHEN DRILLING THE 9MM HOLE DO NOT DRILL THROUGH FUEL LINES, FUEL TANKS, ELECTRICAL WIRING OR RADIO SPEAKERS. WEBBING STRAPS MUST BE PROTECTED FROM SHARP CORNERS AND EDGES.

THE ANCHOR FITTING MUST BE USED ONLY AS DESCRIBED ABOVE. IT MUST NOT BE HOOKED ONTO ANY OTHER OBJECT.

Insurers Information

If your restraint has been involved in a severe crash, you should destroy the restraint even if no damage is obvious. Some insurance companies offer vehicle insurance which covers or partially covers the replacement of your child restraint. Contact your insurance company for further details.

Your insurance company may require you to keep the child restraint for assessment, but do not use the child restraint after a severe crash. To assist you in making an accident insurance claim cut the following statement and include it with your claim.

NOTICE TO INSURANCE COMPANY CHILD RESTRAINT INVOLVED IN AN ACCIDENT

All InfaSecure child restraints are manufactured to Australian/New Zealand Standards AS/NZS1754 which requires us to advise users of child restraints to "Destroy the entire restraint if it has been in use in a severe crash, even if no damage is obvious".

The Australian/New Zealand Standards committee, advise that this statement applies whether a child was in the child restraint or not. We consider a "severe crash" as being one where the main body structure of the vehicle is distorted.

There is no method of determining if the restraint has been damaged and we concur with the Australian/New Zealand Standards in recommending destruction of the child restraint.

This notice is to advise you of the requirements of the Australian/New Zealand Standards and our obligation in complying with the standards.

Please assist the owner of this restraint in their claim.

INFASECURE PTY LTD ABN: 52 149 173 660

Head Office and Registered Address
110-114 Old Bathurst Rd, Emu Plains, NSW 2750
P.O. Box 487, Emu Plains, NSW 2750

Head Office
P: 02 4728 8000
F: 02 4728 8040
www.infasecure.com.au



Notes:

A series of horizontal dotted lines for writing notes.

Notes:

A series of horizontal dotted lines for writing notes.

Notes:

A series of horizontal dotted lines for writing notes.



INFASECURE PTY LTD ABN: 52 149 173 660

Head Office and Registered Address
110-114 Old Bathurst Rd, Emu Plains, NSW 2750
P.O. Box 487, Emu Plains, NSW 2750

HEAD OFFICE

Phone No: +61 2 4728 8000
Fax No: +61 2 4728 8040
Email: admin@infa.com.au

CUSTOMER CARE

Phone No: +61 2 4728 8090
Fax No: +61 2 4728 8040
Email: service@infa.com.au

INFASECURE WARRANTY DETAILS

Infasecure Pty Ltd warrants this product for twelve months from the date of purchase against failure due to manufacturing faults or faulty materials. Misuse, accidental damages, normal wear and tear are not covered by this warranty. When used for commercial use the period is limited to six months.

“Our goods come with guarantees that cannot be excluded under the Australian Consumer Law. You are entitled to a replacement or refund for a major failure and for compensation for any other reasonably foreseeable loss or damage. You are also entitled to have the goods repaired or replaced if the goods fail to be of acceptable quality and the failure does not amount to a major failure.”

Refer to website for details www.infasecure.com.au

ISSUE: D

IMPORTANT: KEEP THIS BOOKLET IN THE PLACE PROVIDED ON THE CHILD RESTRAINT

*All references to age are to an average proportioned child. Children vary in shapes and sizes.
The ages outlined is an approximation only.
We reserve the right to alter this product without notice.



**Australian
Standard**

AS/NZS: 1754:2013
Licence No. 25324-1
SAI Global