

CS113 900mm Adjustable Extension Strap

for child restraints

SUITABILITY

This extension strap is suitable for child restraints manufactured to AS/NZS1754 (from 1995 onwards).

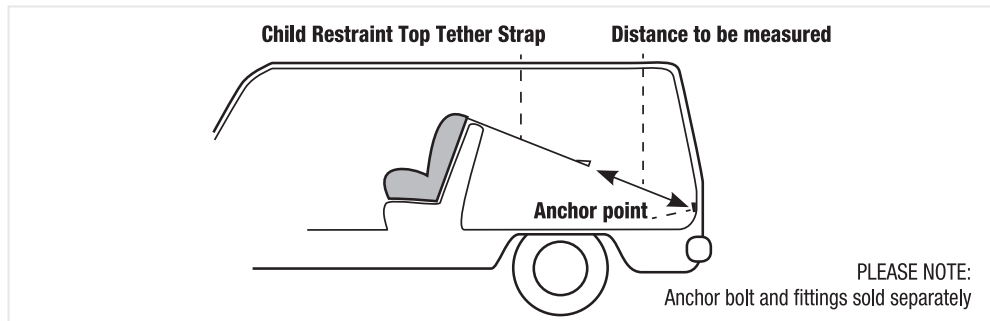
Recommended for use with InfaSecure child restraints.

Some vehicles require an extension strap to allow a top tether strap or upper anchorage strap on a child restraint to be connected to the child restraint anchorage in the vehicle; Usually station wagons and sedans, etc.

Extension straps are available in;

- 300mm Extension Strap • 600mm Extension Strap • Adjustable Extension Strap (200-900mm)

To determine the extension strap required, measure from the fully extended child restraint top tether to the vehicle anchorage point.



If the distance is 300mm or less, use CS111 or CS113.

If distance is greater than 300mm, use CS112 or CS113.

If greater than 600mm use CS113.



WARNINGS

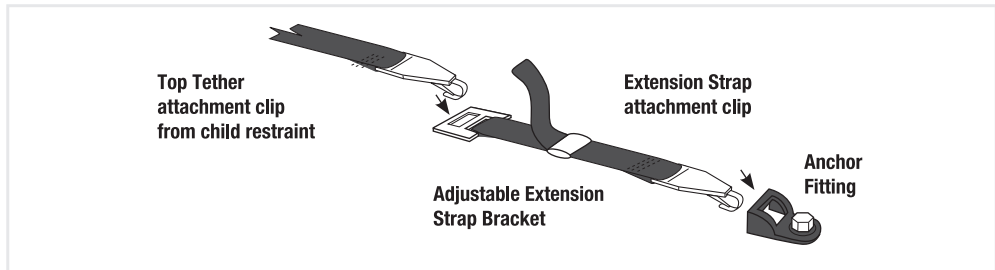
- Use the accessory exactly as shown in the instructions.
- DO NOT LEAVE CHILDREN UNATTENDED IN THE CAR.
- Do not alter or modify the accessory.
- Do not allow the accessory to come into contact with polishes, oils, bleach and other chemicals.
- ALWAYS ATTACH HOOK AND REMOVE SLACK.
- THIS ACCESSORY IS NOT DESIGNED FOR REPAIR, IF BROKEN, DAMAGED OR NOT FUNCTIONING THEN DISPOSE OF THE ACCESSORY.
- THIS ACCESSORY MUST BE ATTACHED TO A CHILD RESTRAINT UPPER ANCHORAGE POINT IN THE CAR. REFER TO CAR OWNER'S HANDBOOK FOR LOCATION OF ANCHORAGE POINTS. REFER TO A CHILD RESTRAINT FITTING STATION IF NO ANCHORAGE POINTS ARE IN THE MOTOR CAR.
- Always secure the loose end of the top tether strap to prevent it hanging out of the car or being accessible by the child.
- Do not use the child restraint where the strap may fall into the cleft of split-back seat, or off the side of the seat.
- STRAPS MAY BE DAMAGED BY UNSECURED CARGO IN A COLLISION. SECURE OR REMOVE HAZARDOUS CARGO BEFORE USING THIS STRAP.

INSTALLATION GUIDE

EXTENSION STRAP INSTALLATION

Please ensure that you read the instructions carefully and follow all the installation instructions supplied with the child restraint in conjunction with these instructions.

If there is any doubt about the method of installation consult; InfaSecure or an approved child restraint fitting station.



- 1) Attach the extension strap attachment clip to the vehicle anchor fitting.
- 2) Attach the top tether attachment clip (from the child restraint) to the extension strap bracket.
- 3) Adjust the top tether strap to remove all slack and provide a firm installation.

Note: A loose top tether strap could increase the potential for injury to a child.

