

Cot

MODEL 30222



Two adults are required to assemble this cot



Follow all manufacturer's assembly instructions carefully to ensure the safety features of the cot are not compromised

INSTRUCTIONS/WARNINGS

IMPORTANT. RETAIN FOR FUTURE REFERENCE. READ CAREFULLY

SAFETY INSTRUCTIONS:

Before using this product, read these instructions in their entirety, for assistance contact Grotime customer care:

AU: 1300 92 4632

NZ: 067 590 870

NOTE: The illustrations displayed throughout this booklet are for demonstration only, product specifications are subject to change without notice. Assemble product according to manufacturers instructions.

CARE AND MAINTENANCE

Check your cot regularly. Retighten all bolts. For customers care contact Grotime Australia on 1300 92 4632; or New Zealand on 067 590 870

Do not use abrasive or corrosive agents, lint free cloth and then wipe with a dry cloth.

RECOMMENDED MATTRESS SIZE

This cot has been manufactured for use with a mattress which measures 690mm wide by 1300mm long and 130mm in thickness. The width and length are specified because it is important that the gaps between the mattress and the sides of the cot will not exceed 40mm when the mattress is pushed to one side or end, and 20mm when the mattress is centred in the cot. The thickness of the mattress has been specified to ensure that the depth of the it is greater than 500mm with the mattress base in the lower position to minimise the risk of a child climbing or falling out of the cot.

STORAGE:

To store your Cot (30222), please reverse assembly steps. Ensure all components are kept together along with Instruction manual for future use.

**KEEP BOOKLET FOR FUTURE REFERENCE
READ ALL INSTRUCTIONS CAREFULLY BEFORE USE OF THIS
COT. ALWAYS FOLLOW THE INSTRUCTIONS. THE CORRECT USE AND
MAINTENANCE OF THIS PRODUCT IS ESSENTIAL.**

THIS PRODUCT IS NOT INTENDED FOR COMMERCIAL USE.

WARNINGS:

WARNING

BEFORE ASSEMBLING THIS COT, ENSURE YOU HAVE A CLEAR AREA ON CARPET OR A THICK BLANKET OR RUG. NEVER ASSEMBLE ON A HARD SURFACE

WARNING

TO PREVENT FALLS, THE MATTRESS BASE OF THIS COT SHOULD BE ADJUSTED TO THE LOWEST POSITION BEFORE CHILD CAN SIT UP.

WARNING

TO PREVENT FALLS OR SUFFOCATION, THE MAXIMUM MATTRESS THICKNESS SHOULD NOT EXCEED 130MM

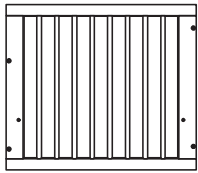
WARNING

ENSURE YOUR CHOSEN LOCATION FOR THE COT IS A REASONABLE DISTANCE FROM CURTAINS, BLINDS, HEATERS, AND POWER POINTS. ALWAYS KEEP MEDICATION, STRING, ELASTIC, SMALL TOYS OR SMALL ITEMS SUCH AS MONEY OUT OF REACH FROM ANY POSITION IN THE COT

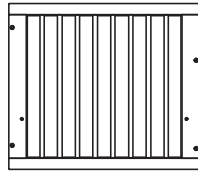
CONTENTS:

Before using this product remove and check all components within the packaging for scratches or dents.

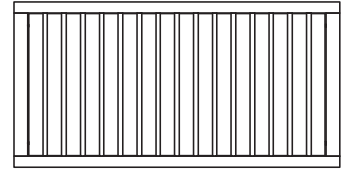
PARTS INVENTORY:



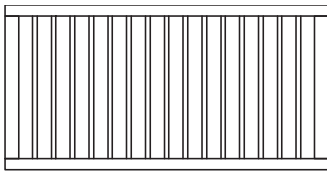
① Cot End A x1



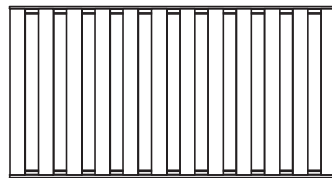
② Cot End B x1



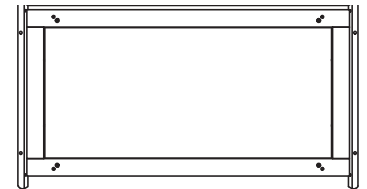
③ Cot Rail x1



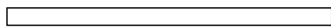
④ Drop Side Cot Rail x 1



⑤ Mattress Base x 1




⑥ Frame A x 1



⑦ Frame B x 1



⑧ Leg x 4


PHILLIPS SCREW DRIVER REQUIRED.
FOR QJUCKER ASSEMBLY, WE RECOMMEND
THE USE OF A POWER DRILL ON A LOW-SPEED SETTING.

HARDWARE INVENTORY:

⚠ WARNING ⚠
BEFORE ASSEMBLING THE COT, ENSURE
YOU HAVE A CLEAR AREA ON CARPET
OR A THICK BLANKET OR RUG. NEVER
ASSEMBLE ON A HARD SURFACE.



A 65mm Bolts
x 14



B 40mm Bolts
x 8



C 15mm Bolts
x 4



D D.Nut
x 4



E Wood Dowel
x 4



F Guide Pin
x 4



G Locking Bolt
x 2



H Allen Wrench
x 1

ASSEMBLY

The improper assembly of this product can lead to serious injury of your child. Ensure that the 30222 is assembled as per these instructions.

WARNING:

Please keep all packaging material away from the babies and children to prevent suffocation.

Step 1. Unpack Contents.

Step 2. Assemble Legs (8) to Frame A (6) using 4 x 40mm Bolts (B) and Wood Dowel (E).

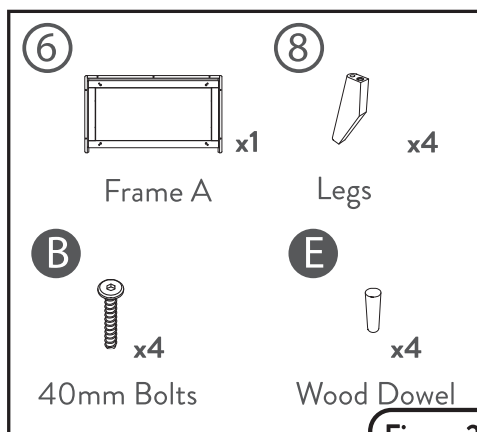
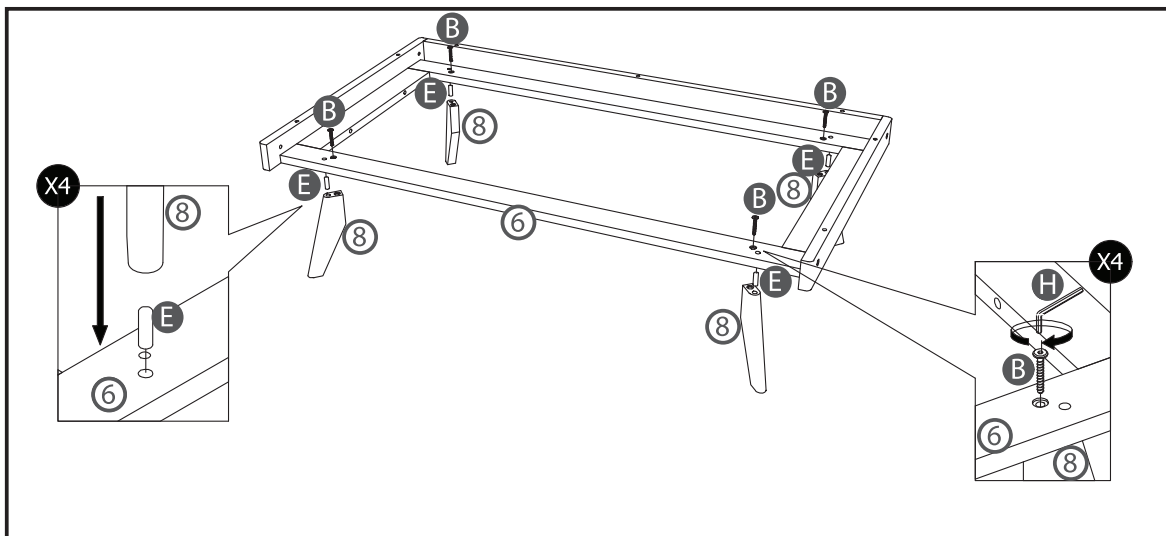


Figure 2B



ASSEMBLY

Step 3.

Create upper assembly with Cot End (A), Cot End (B) & Cot Rail (C) using 4 x 65mm Bolts. Then connect the upper assembly to the lower assembly from step 2 using 7 x 65mm Bolts.

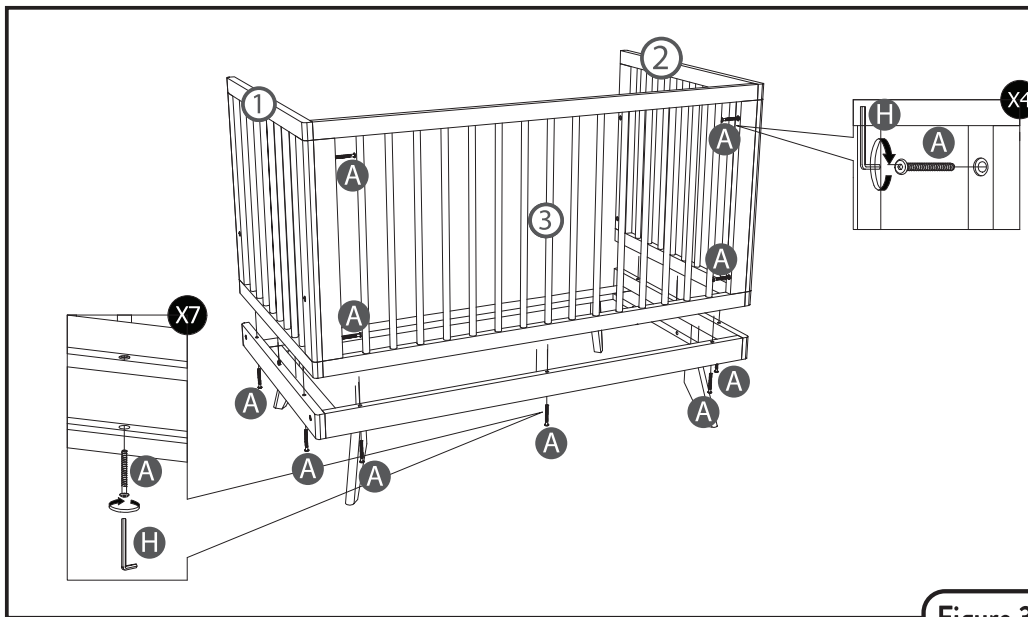


Figure 3A

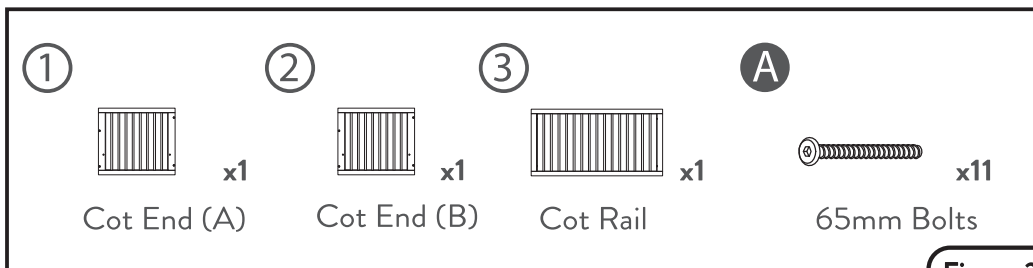


Figure 3B

- ⚠ Do not tighten bolts at this stage
- ⚠ Choose high or low position for mattress base

ASSEMBLY

Step 4. Correctly position the Mattress Base (5) as per Figure 4A. Highest Position is used for Infant Mode and the Lowest Position is used for Toddler Mode. Screw Mattress base in place using 40mm Bolts. Fill finger entrapments with 4 x 15mm Bolts (C) and D.Nut (D).

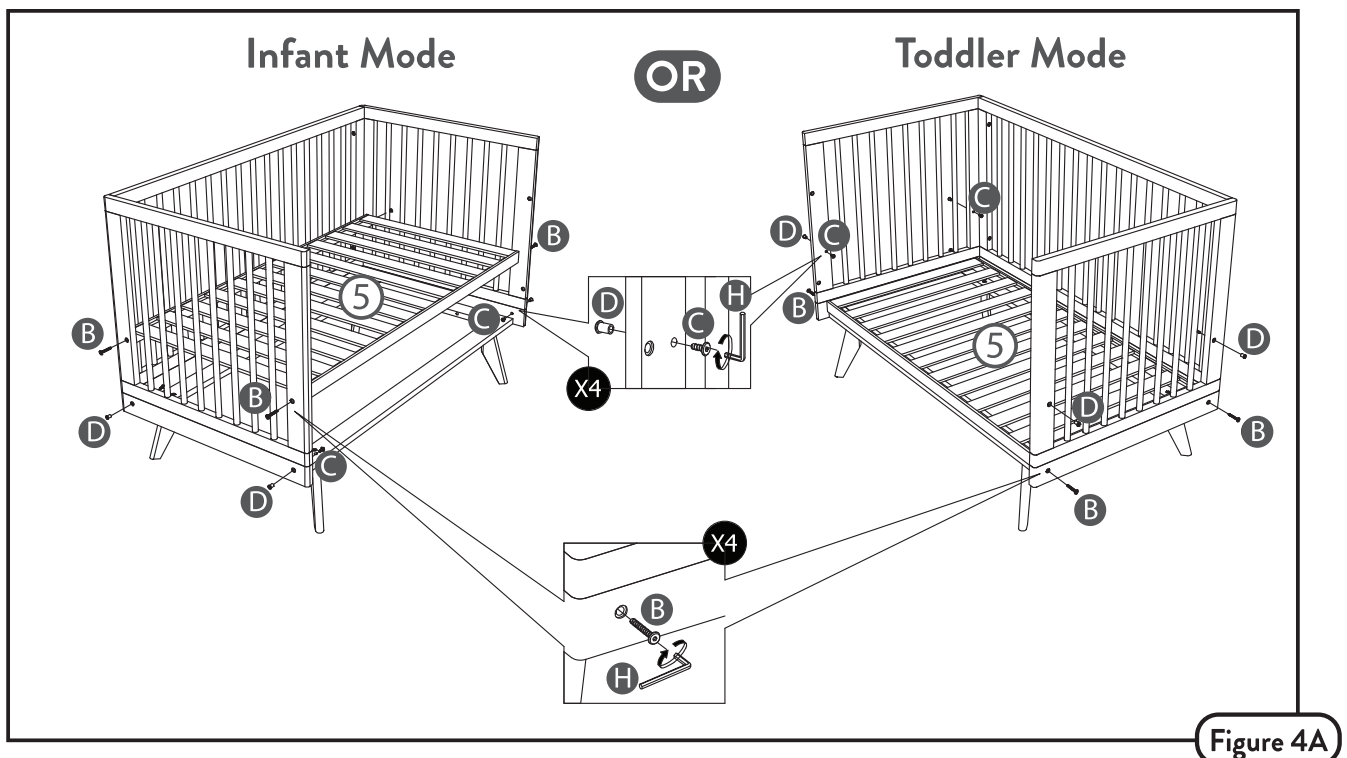


Figure 4A

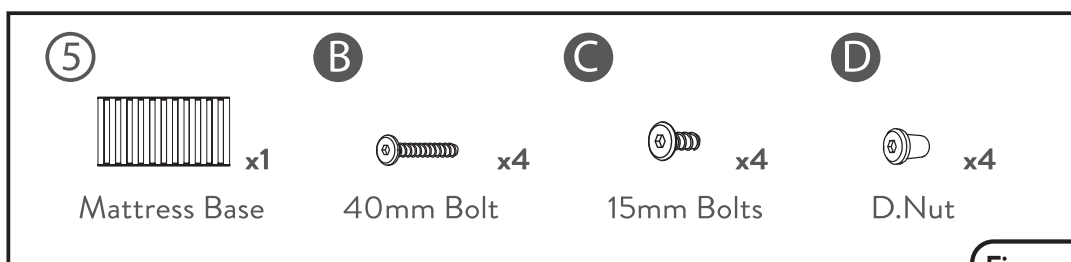
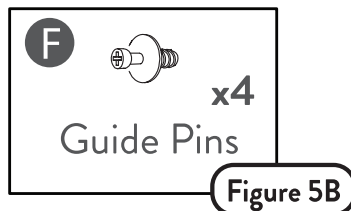
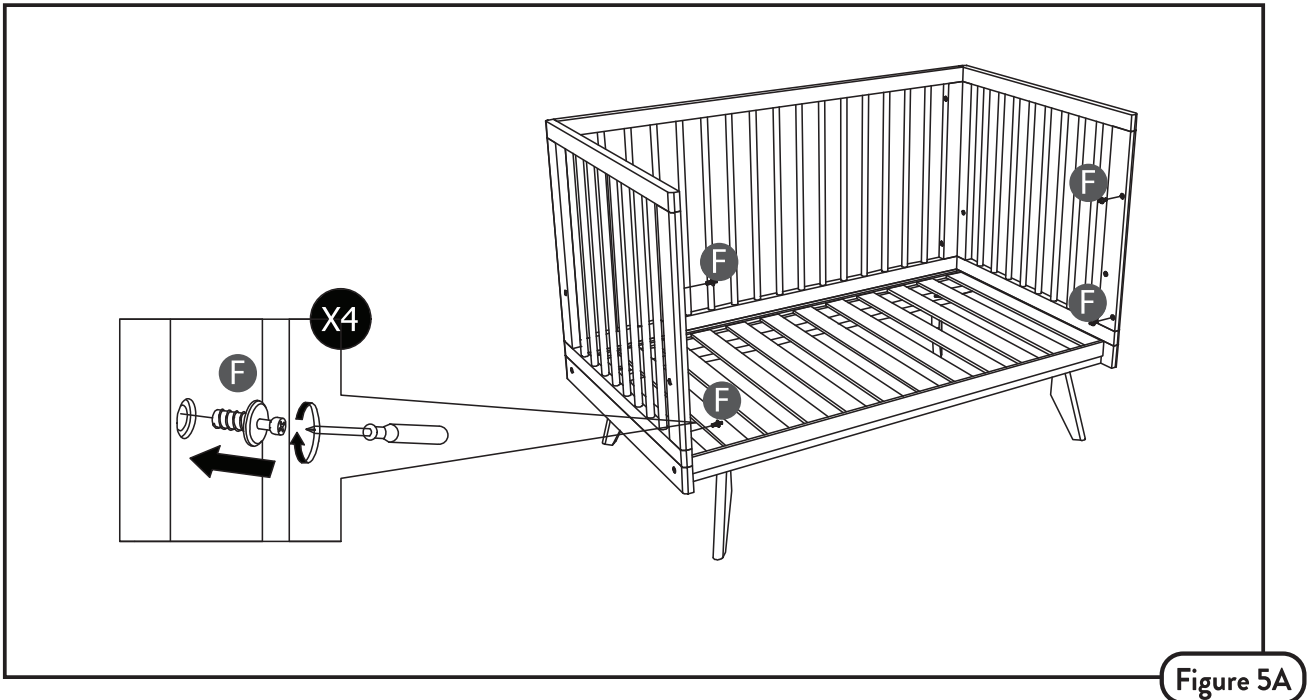


Figure 4B

ASSEMBLY

Step 5. Prepare drop side assembly by inserting the 4 x Guide Pins (F) correctly into the 2 Cot End panels.



Align two access holes in the built-in runner with the guide pins on one end. Now repeat on the other end.

! Ensure correct side is facing out

ASSEMBLY

Step 6. Assemble the drop side sub assembly of the cot by screwing Drop Side Cot Rail (4) to Frame B (7), using 3 x 65mm Bolts (A).

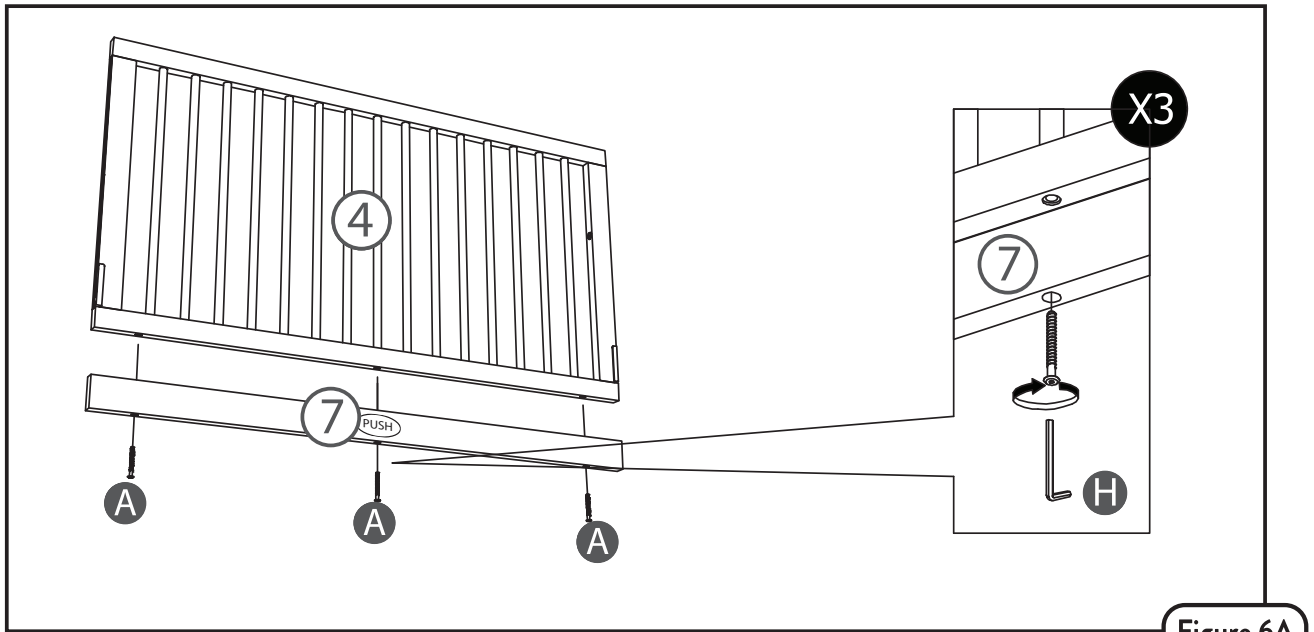


Figure 6A

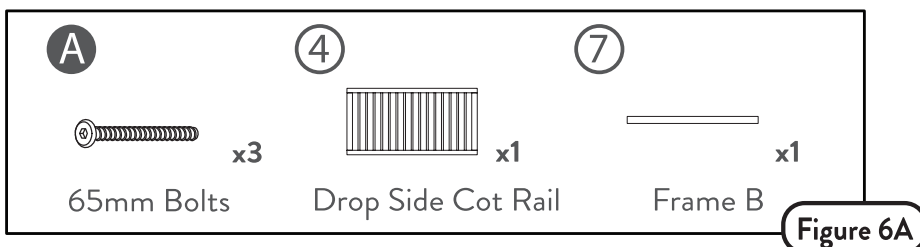


Figure 6A

Step 7. Complete assembly of your cot by connecting the drop side sub assembly to the two ends of the cot. Align the Guide Pins (F) appropriately with the slots on the drop side.

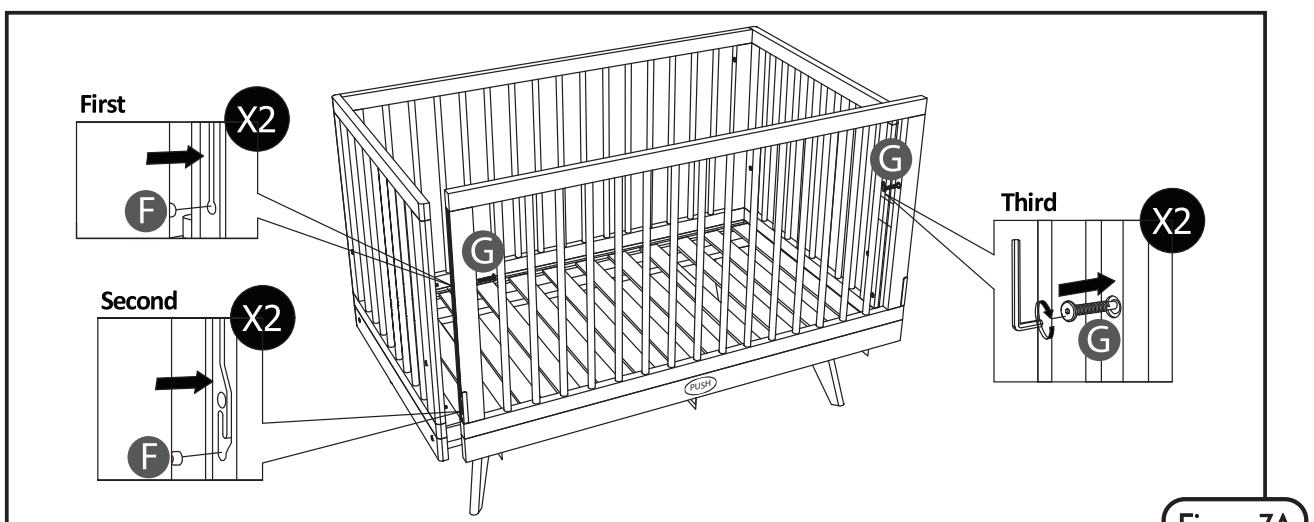


Figure 7A

ASSEMBLY

Step 8. Tighten all bolts.

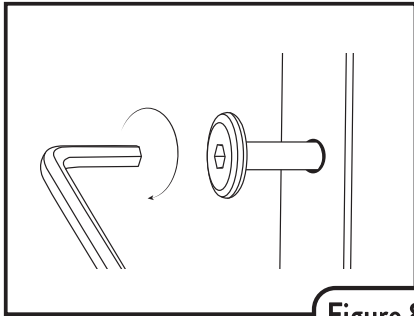


Figure 8A

⚠ WARNING ⚠

ENSURE YOUR CHOSEN LOCATION FOR THE COT IS A REASONABLE DISTANCE FROM CURTAINS, BLINDS, HEATERS, AND POWER POINTS. ALWAYS KEEP MEDICATION, STRING, ELASTIC, SMALL TOYS OR SMALL ITEMS SUCH AS MONEY OUT OF REACH FROM ANY POSITION IN THE COT.

OPERATION

To lower drop side, lift from centre of top rail, hold side in that position while using your leg to push inward on centre of bottom rail. Then allow to slide gently down.

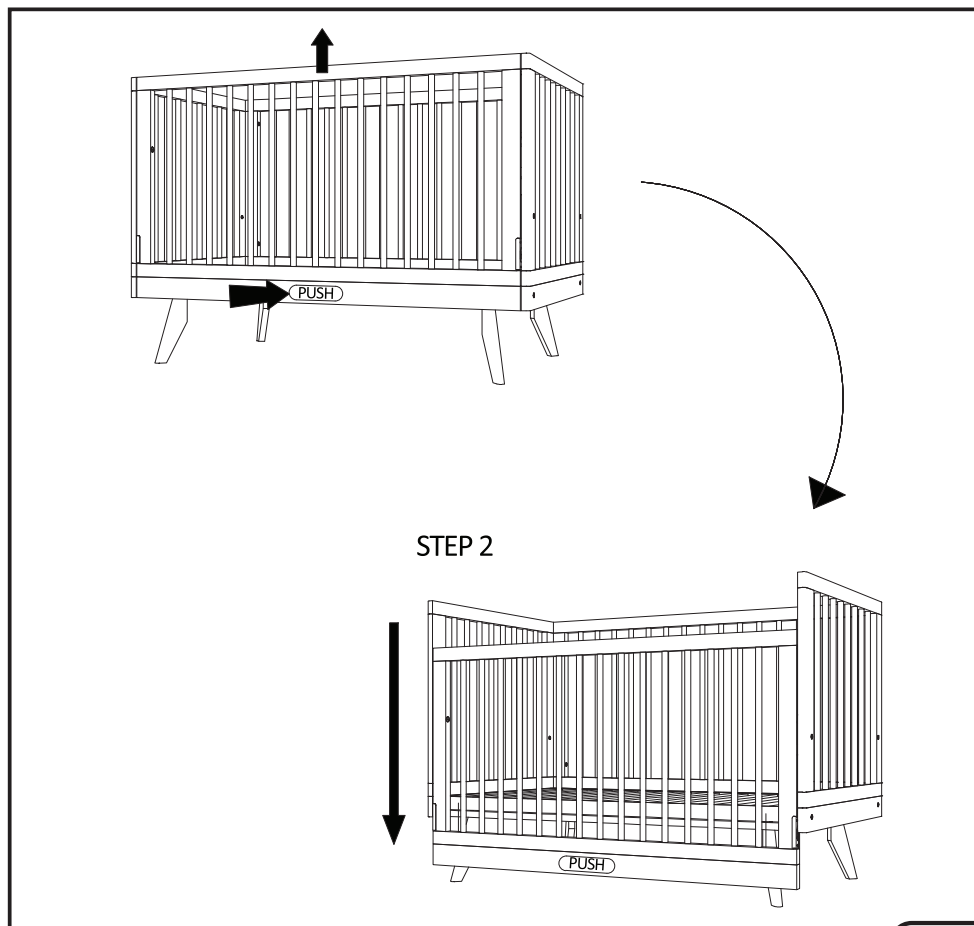


Figure 9A

WARRANTY

1. Our goods come with guarantees that cannot be excluded under the Australian Consumer Law. You are entitled to a replacement or refund for a major failure and for compensation for any other reasonably foreseeable loss or damage. You are also entitled to have the goods repaired or replaced if the goods fail to be of acceptable quality and the failure does not amount to a major failure.

2. In order for your claim to be processed in an efficient timely manner please follow the warranty claims process as outlined below:

- Fill in the online customer service form found on the following link:

<https://grotime.link/contact-us>

- If you are unable for any reason to process your warranty claim using the online customer care form please call our Grotime customer care team on AU - 1300 92 4632 NZ - 067 590 870 or email customercare@infa.com.au

- In order for your claim to be processed you will need to provide to Grotime with an original proof of purchase. For example original retailer purchase receipt, bill of sale, invoice, lay-by docket, credit card receipt proof of purchase.

- Note: providing attached photographs with your claim will greatly enhance the speed in which your claim is processed.

3. This warranty does not obligate Grotime to bear transportation costs incurred in the repair or replacement of any defective parts and excludes and superficial scratched, dents, scrapes or blemishes to paint work or timber surfaces. This Warranty does not cover faults or defects caused by:

- unsuitable, improper use or use not in accordance with the manufacturer's specifications
- incorrect installation or installation not in accordance with instructions provided
- normal wear and tear
- inadequate or complete lack of maintenance
- chemical, electrochemical or electrical influences or harsh detergents or abrasive cleaners used on product finishes
- discolouration caused to timber finish by ultra violet (UV) rays or overexposure to direct sunlight

4. To the fullest extent permitted by law, Grotime excludes all liability for damage or injury to any person, damage to any property, and any indirect consequential or other loss or damage.

www.grotime.com.au

www.grotime.co.nz