

Grotime®

HELSINKI CHEST 33132



Follow all manufacturer's assembly instructions carefully to ensure the safety features to the chest are not compromised.

Grotime

110-114 Old Bathurst Rd,
Emu Plains, NSW 2750

P.O. Box 487, Emu Plains,
NSW 2750

Customer Care

Email: customercare@grotime.com.au

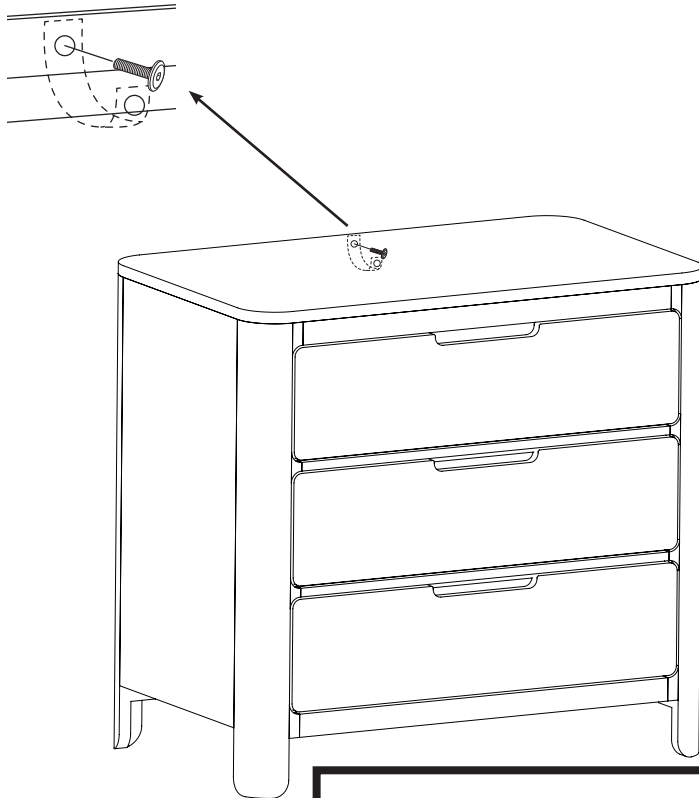
AUSTRALIA
1300 799 912

www.grotime.com.au

NEW ZEALAND
+61 2 4728 8067

www.grotime.co.nz

There is an anti-topple strap fixed to the back of the chest.
Choose a suitable wall fixing and then fasten the strap to
the wall as shown using the appropriate fixings.



⚠ WARNING ⚠

WE STRONGLY RECOMMEND THAT THIS PRODUCT BE PERMANENTLY FIXED TO THE WALL OR OTHER SUITABLE SURFACE. PLEASE SEEK PROFESSIONAL ADVICE IF YOU ARE IN DOUBT WHAT FIXING DEVICE TO USE.

FURNITURE TRIP-OVER HAZARDS

Children like climbing on things, especially if there is something up high that they want. Household furniture like bookshelves, chests of drawers and entertainment units can be attractive to climb. So too furniture like tallboys where pulled-out drawers act as stairs for climbing.

The inclusion of the anchoring strap is supplied as per the recommendations of the Best Practice Guide for Furniture and Television Trip-Over Prevention, from the National Retail Association.

WARNING

It is **STRONGLY RECOMMENDED** that you **ANCHOR** this product.

Toppling furniture can cause serious injuries and death.

This product has been fitted with an anchor strap. To prevent your furniture from tipping forward it is strongly recommended that you securely attach this product to a wall or other solid surface, using the anchor strap provided and appropriate fixings.

IMPORTANT:

- Regularly check that anchors are securely maintained.
- Use safety drawer locks to prevent children climbing.
- Stability of tall items may be affected by thick pile carpet or uneven floors.
- Do not place unanchored televisions on furniture

CAUTION:

- For your safety when attaching the anchor fixings, please note the following:
- Check for any electrical wires or plumbing inside the wall before drilling any holes (if you are unsure please seek professional advice from a qualified trades person)
- Walls are constructed from different materials, for example, masonry (solid brick) or plasterboard lined cavity walls (hollow). It is important that you use the appropriate wall fixings for your wall type.
- Your local hardware store will have the necessary drills and fixings and can offer advice if needed. If in doubt, engage the services of a qualified trades person to install and anchor the product.

MAINTENANCE AND CARE

Check your chest regularly. Retighten all bolts. For customer care contact Grotime Australia on 1300 799 912; or New Zealand on +61 2 4728 8067.

Do not use abrasive or corrosive agents, or hard brushes for cleaning.

Clean the surface with a lightly dampened, lint free cloth and then wipe with a dry cloth

USAGE

This chest is suitable for indoor use only. Please protect it from moisture.

The chest is intended for a private household, and is unsuitable for commercial purposes.

5 YEAR NURSERY FURNITURE WARRANTY

1. Our goods come with guarantees that cannot be excluded under the Australian Consumer Law. You are entitled to a replacement or refund for a major failure and for compensation for any other reasonably foreseeable loss or damage. You are also entitled to have the goods repaired or replaced if the goods fail to be of acceptable quality and the failure does not amount to a major failure.
2. In order for your claim to be processed in an efficient timely manner please follow the warranty claims process as outlined below:
 - Fill in the online customer service form found on the following link <https://grotime.net/customer-service-and-warranty-claims>
 - If you are unable for any reason to process your warranty claim using the online customer care form please call our Grotime customer care team on AU - 1300 799 912 NZ - +61 2 4728 8076 or email customercare@grotime.com.au
 - In order for your claim to be processed you will need to provide to Grotime with an original proof of purchase. For example original retailer purchase receipt, bill of sale, invoice, lay-by docket, credit card receipt or similar proof of purchase.
 - Note: providing attached photographs with your claim will greatly enhance the speed in which your claim is processed.
3. This warranty does not obligate Grotime to bear transportation costs incurred in the repair or replacement of any defective parts and excludes any superficial scratches, dents, scrapes or blemishes to paint work or timber surfaces. This Warranty does not cover faults or defects caused by:
 - unsuitable, improper use or use not in accordance with the manufactures specifications
 - incorrect installation or installation not in accordance with instructions provided
 - normal wear and tear
 - inadequate or complete lack of maintenance
 - chemical, electrochemical or electrical influences or harsh detergents or abrasive cleaners used on product finishes
 - discolouration caused to timber finish by ultra violet (UV) rays or overexposure to direct sunlight
4. To the fullest extent permitted by law, Grotime excludes all liability for damage or injury to any person, damage to any property, and any indirect consequential or other loss or damage.