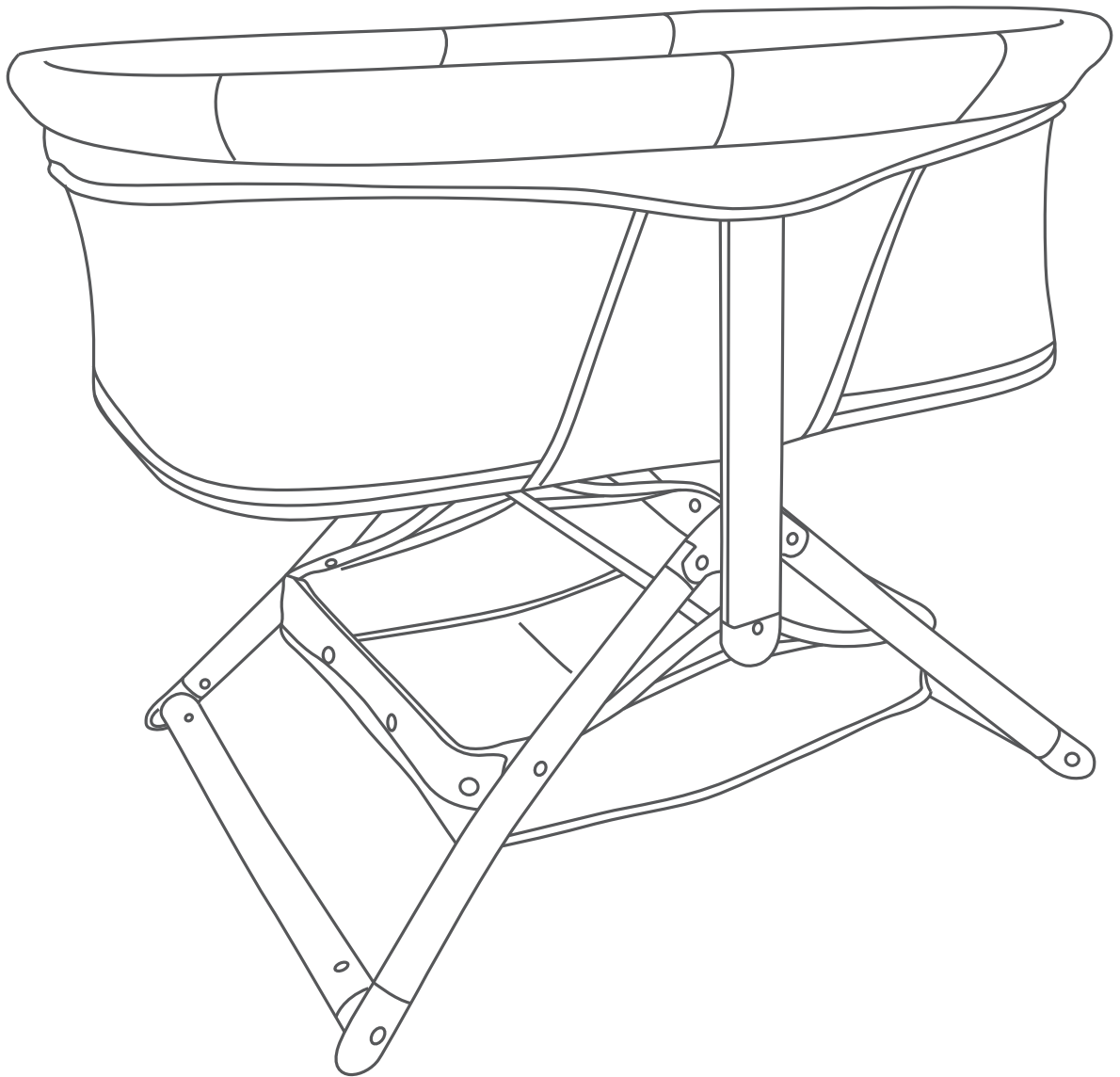


Folding Bassinet

MODEL 31109



INSTRUCTIONS/WARNINGS

IMPORTANT. RETAIN FOR FUTURE REFERENCE. READ CAREFULLY

SAFETY INSTRUCTIONS:

Before using this product, read these instructions in their entirety, for assistance contact Grotime customer care:

AU: 1300 799 912

NZ: +61 2 4728 8067

NOTE: The illustrations displayed throughout this booklet are for demonstration only, product specifications are subject to change without notice.

CARE AND MAINTENANCE

- To prolong the life of your bassinet, keep it clean and do not leave in direct sunlight for extended periods of time.
- Do not use abrasive cleaners. Do not soak in water.
- Removable fabric covers and trims may be cleaned using warm water with a household soap or mild detergent. Allow it to dry fully, preferably away from direct sunlight.
- Always store your product in a clean dry place.
- Do not leave in the boot of a car
- Do not allow the product to come into contact with sand or salt water, sand causes corrosion and salt water the formation of rust.
- Do not dry clean or use bleach
- Do not machine wash, tumble or spin dry. Fabric and frame may be cleaned using a damp sponge with soap or mild detergent. The mattress can be washed by hand (see washing label). Allow to dry completely before folding or storing it away.
- In some climates, the covers and trims may be affected by mould and mildew. To help prevent this occurring, do not fold or store the product if it is damp, always store the product in a well ventilated area.
- To maintain the safety of your nursery product, seek prompt service for bent, torn, worn or broken parts.
- Use only those proved by the manufacturer.
- Always check parts regularly for tightness of screws, nuts and other fasteners - tighten if required.
- If the bassinet is not working correctly, stop using the high chair until repaired.

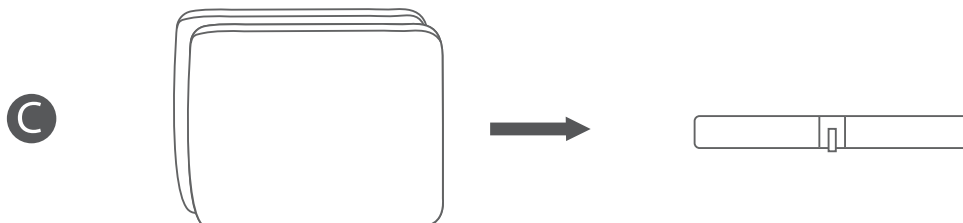
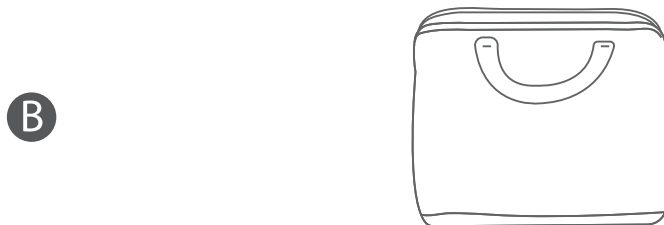
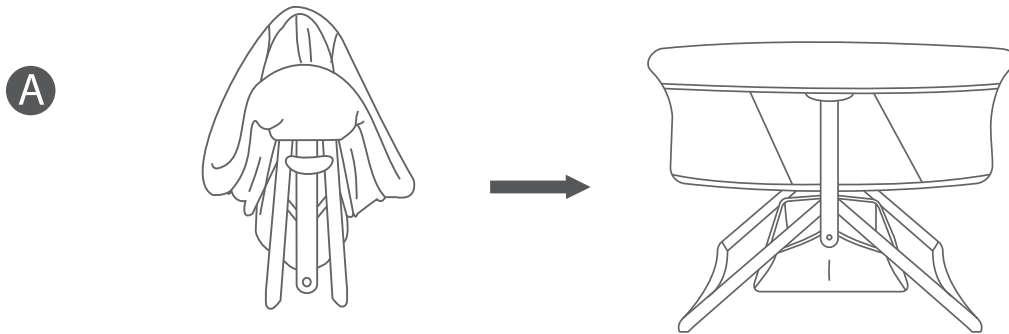
WARNINGS

- FOLLOW THE MANUFACTURERS INSTRUCTIONS.
 - WHEN A CHILD IS ABLE TO SIT, KNEEL OR TO PULL ITSELF UP, THE CRIB/CRADLE SHALL NOT BE USED ANYMORE FOR THIS CHILD.
 - DO NOT LEAVE CHILDREN UNATTENDED.
 - THE BASSINET/CRADLE MUST ALWAYS BE PLACED ON A HORIZONTAL FLOOR.
 - YOUNG CHILDREN SHOULD NOT BE ALLOWED TO PLAY UNSUPERVISED IN THE VICINITY OF THE BASSINET/CRADLE.
 - THE BASSINET/CRADLE SHOULD BE LOCKED IN THE FIXED POSITION WHEN A CHILD IS UNSUPERVISED IN IT.
 - DISCONTINUE USE OF THE BASSINET/CRADLE IF ANY PART IS BROKEN, TORN OR MISSING.
 - ENSURE ALL FITTINGS ARE ALWAYS TIGHTENED PROPERLY.
 - BE SURE TO CHECK THAT YOUR BASSINET/CRADLE DOES NOT CONTAIN ANY LOOSE SCREWS OR ANY OTHER PARTS WHICH MIGHT INJURE THE CHILD OR CATCH OR TRAP HIS OR HER CLOTHING (RIBBON, DUMMY, NECKLACE ETC...), AND THUS CAUSE STRANGULATION.
 - DO NOT USE THE BODY OF THE BASSINET/CRADLE WITHOUT ITS FRAME.
 - THE THICKNESS OF THE MATTRESS SHALL BE SUCH THAT THE INTERNAL VERTICAL HEIGHT (SURFACE OF THE TOP OF THE MATTRESS TO THE UPPER EDGE OF THE BED SIDES) IS AT LEAST 200mm IN THE HIGHEST POSITION OF THE BED BASE.
 - RECOMMENDED MATTRESS SIZE IS 850mm (L) x 465mm (W) x 30mm (D).
 - DO NOT PLACE THE BASSINET/CRADLE NEAR OPEN FIRES AND OTHER SOURCES OF STRONG HEAT, SUCH AS ELECTRIC BAR FIRES, GAS-FIRES, ETC.
 - **NEVER** use plastic shipping bags or other plastic film as mattress covers not sold and intended for that purpose. They can cause suffocation.
-
- Always read and follow assembly instructions for each product use mode
 - **DO NOT** place product near window where cords from blinds or drapes may strangle a child.
 - **DO NOT** allow children to climb or play under the unit in any configuration.
 - Do not fold bassinet/cradle when child is in it.
 - Do not let your child play with this product.
 - This bassinet/cradle is intended for use with 1 child only.
 - Never place bassinet/cradle near steps or stairs
 - The bassinet/cradle shall not be used without a mattress base.
 - To avoid suffocation, do not use extra padding such as an additional mattress, pillow or soft toys inside the bassinet/cradle.

CONTENTS:

Before using this product remove and check all components within the packaging for scratches or dents.

- A: Bassinet Body (Folded inside Carton) (x 1)
- B: Easy Carry Bag (x 1)
- C: Mattress (x 1)



ASSEMBLY - BASSINET

The improper assembly of this product can lead to serious injury of your Child. Ensure that the 31109 is assembled as per these instructions.

WARNING:

Please keep all packaging material away from the babies and children to prevent suffocation.

Step 1. Use the two sides of the frame as handles. Simultaneously pull both sides up sharply (refer Figure 1A).

NOTE: Extend legs to lock bassinet in place (Figure 1B).

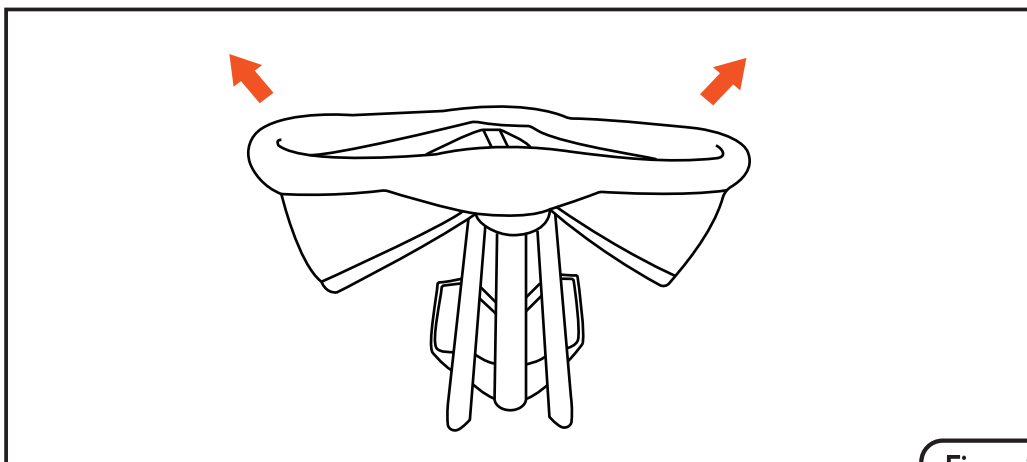


Figure 1A

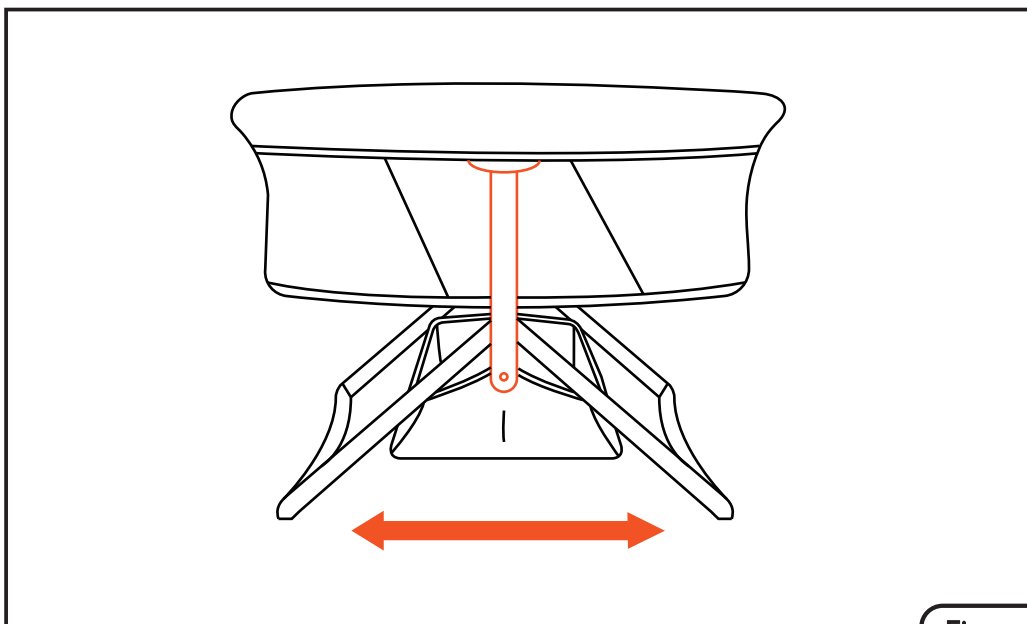


Figure 1B

ASSEMBLY - MATTRESS

Step 2.

- Insert the mattress into the bassinet with the attachment side facing downward and align both attachments (refer Figure 2A).
- Press down on the mattress to be sure it is securely attached underneath the padding (refer Figure 2B).
- On the sides of the mattress, insert the short strap through the fabric, hook and loop the strap on the mechanism underneath the bassinet and button (refer Figure 2C). Repeat for the other side.

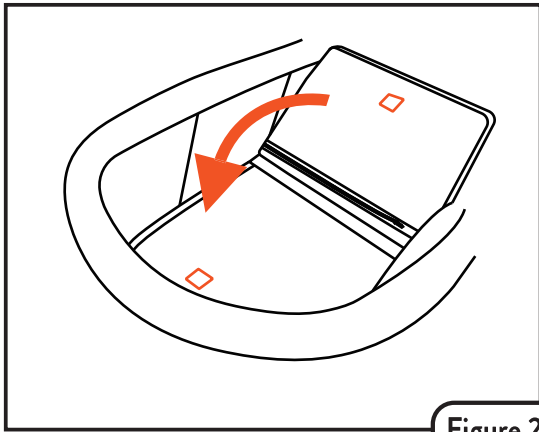


Figure 2A

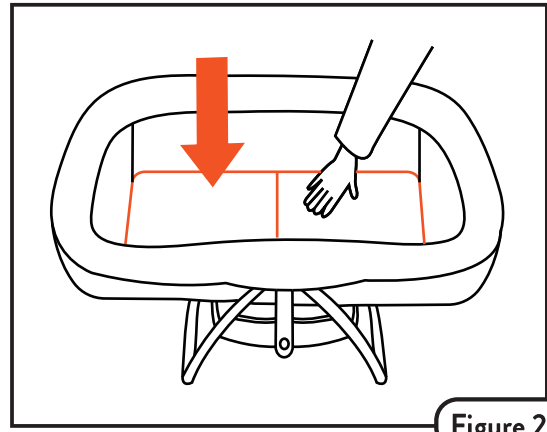


Figure 2B

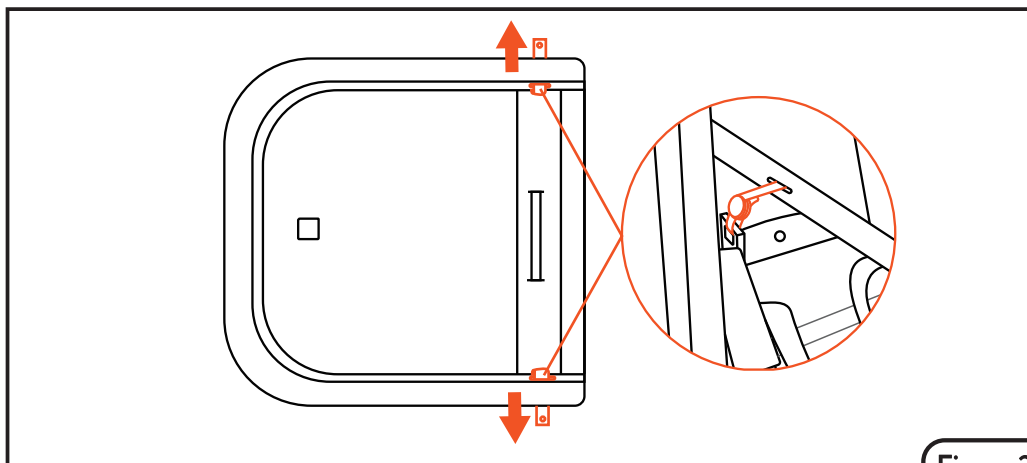


Figure 2C

ASSEMBLY - ROCKING FUNCTION

Step 3. Rotate the rails on both sides, then the bassinet can rock gently.

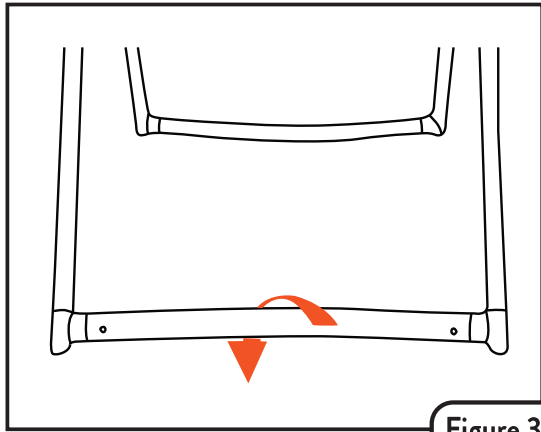


Figure 3A

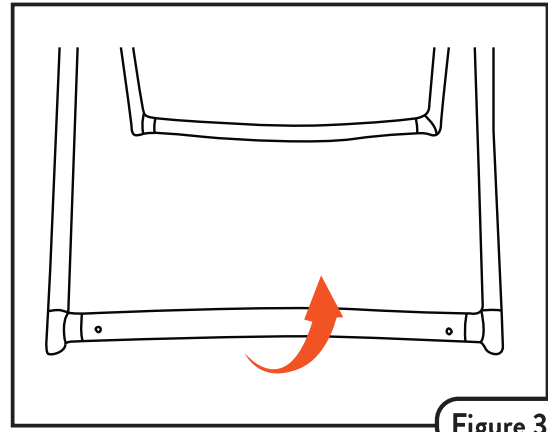


Figure 3B

FOLDING THE BASSINET

Step 4. Pull upward on the handle strap sharply until the bassinet collapses completely (refer Figure 4A).

NOTE: Mattress can be left inside the bassinet when folded.

For a compact fold, ensure the end frames of the bassinet are tightly pushed in and insert the bassinet into the bag (refer Figure 4B).

Ensure all parts of the bassinet are in the bag (refer Figure 4C).

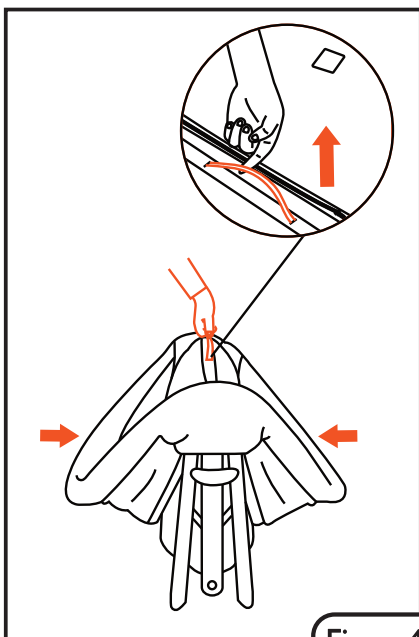


Figure 4A

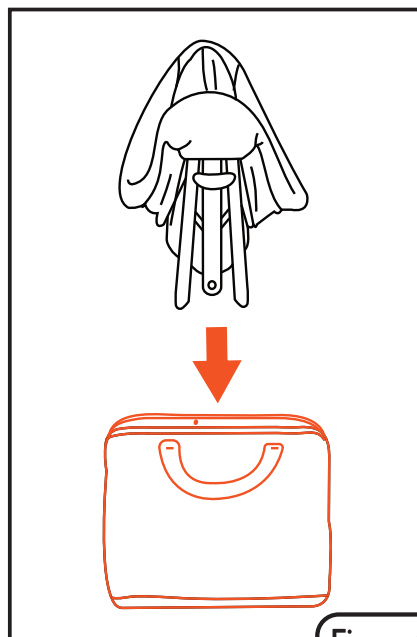


Figure 4B



Figure 4C

REMOVING THE MATTRESS

Step 5.

- Unsnap the button on the mattress and unhook it from the mechanism (refer Figure 5a). Repeat for the other side.
- Remove the mattress by pulling it out of the bassinet completely (refer Figure 5b).

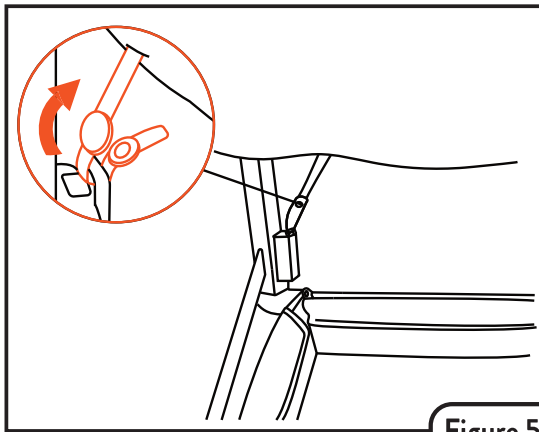


Figure 5A

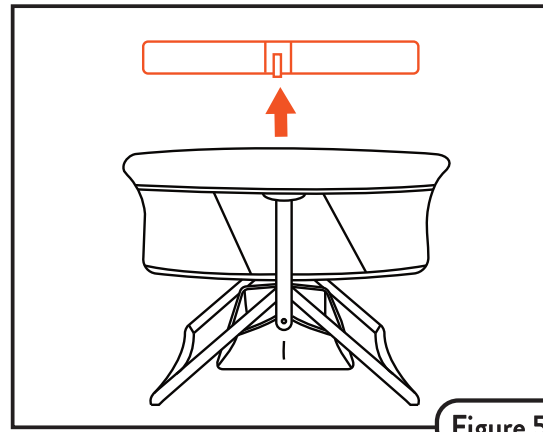


Figure 5B

REMOVE/REATTACH BASKET

Step 6.

- To detach the basket, unbutton the horizontal flap and unhook the short straps on the side railing (refer Figure 6A) Repeat for the other side.
- To reattach the basket, button the horizontal flap. For the side railing, use the hook and loop method to attach the short straps (Figure 6B). Repeat for the other side.

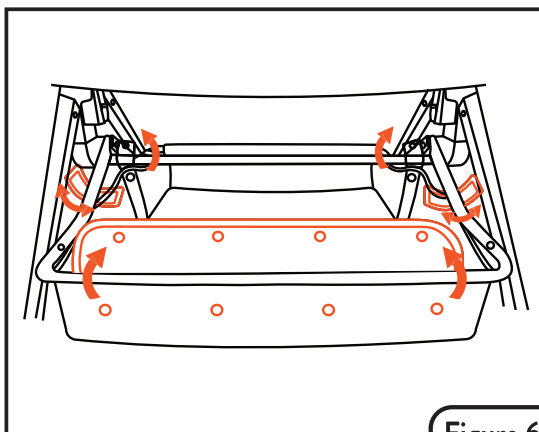


Figure 6A

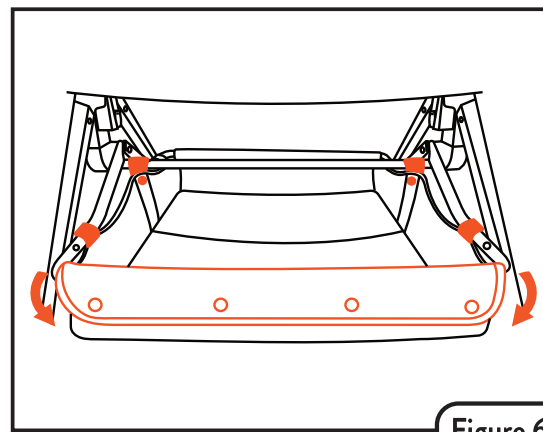


Figure 6B

REATTACHING FABRIC

Step 7.

- On the side of the bassinet railing, unbuckle the handle strap and release it through the fabric tunnel underneath the bassinet (refer Figure 7A).
- By flipping over the mattress, remove the handle strap through the two holes on the fabric (refer Figure 7B).

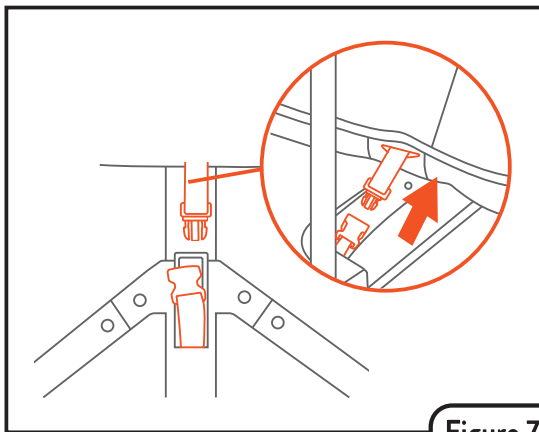


Figure 7A

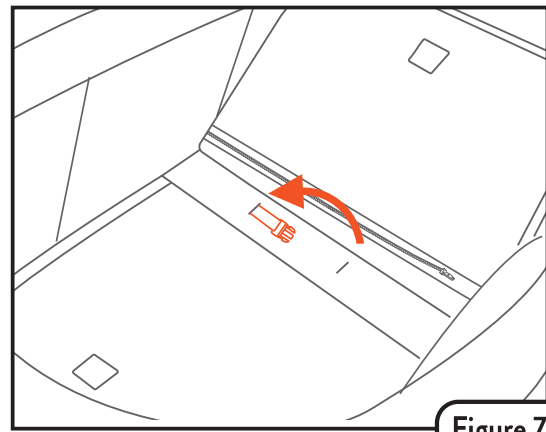


Figure 7B

- Pull out the handle strap completely from both fabric openings (refer Figure 7C).
- To remove the fabric: Unzip both sides of the frames (refer Figure 7D).

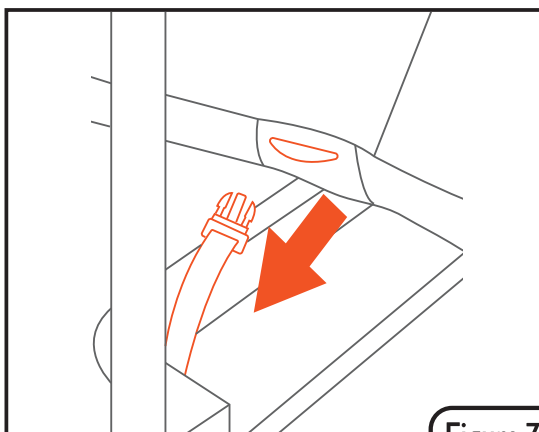


Figure 7C

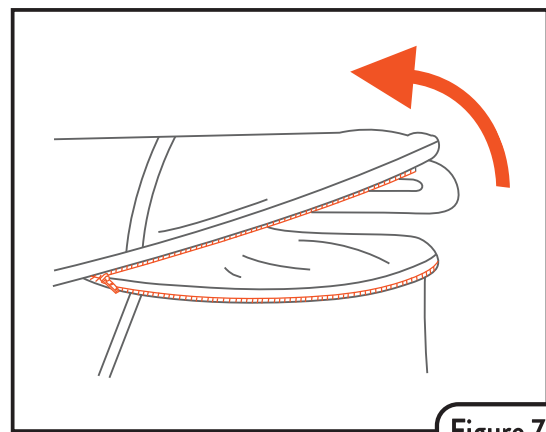


Figure 7D

REATTACHING FABRIC

Step 7.

- Underneath the fabric, unbutton the fabric from both sides (refer Figure 7E).
- Unscrew the buttons on the rectangular fabric on both sides with a screw driver before removing the fabric from the bassinet (refer Figure 7F).

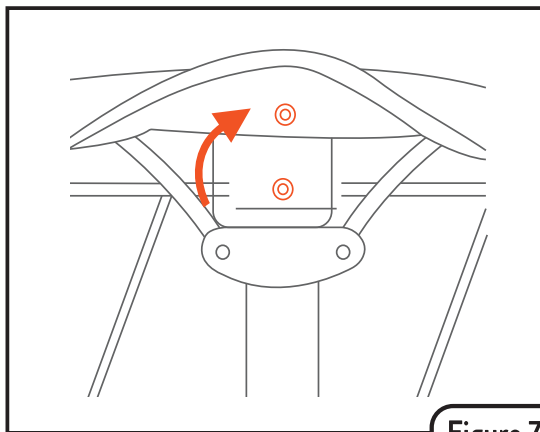


Figure 7E

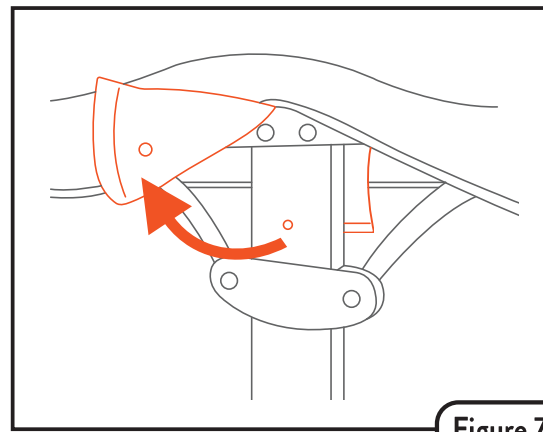


Figure 7F

- To reattach the fabric: Pull over both sides of the fabric tightly over each frame. Align the rectangular fabric to screw in place. Repeat for the other side (refer Figure 7G).
- Button the fabric on both sides (refer Figure 7H).

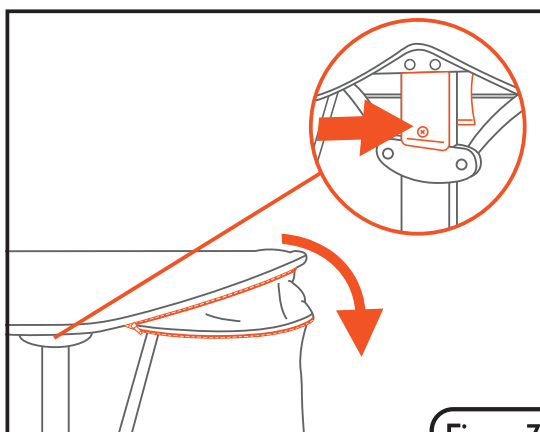


Figure 7G

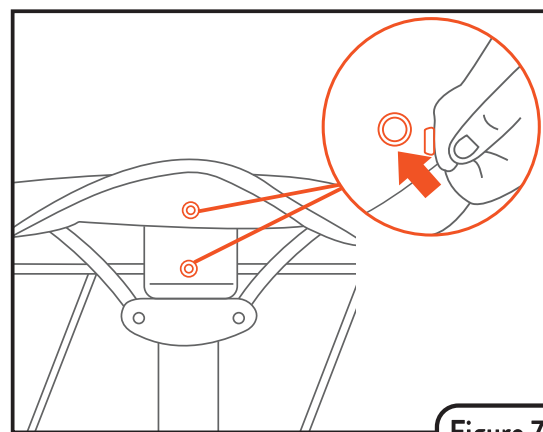


Figure 7H

REATTACHING FABRIC

Step 7.

- Zip both sides of the frames (refer Figure 7I).
- Reattach the handle strap: The Side of the bassinet that has the long buckle strap, insert the strap through the fabric tunnel underneath the bassinet fabric (refer Figure 7J).

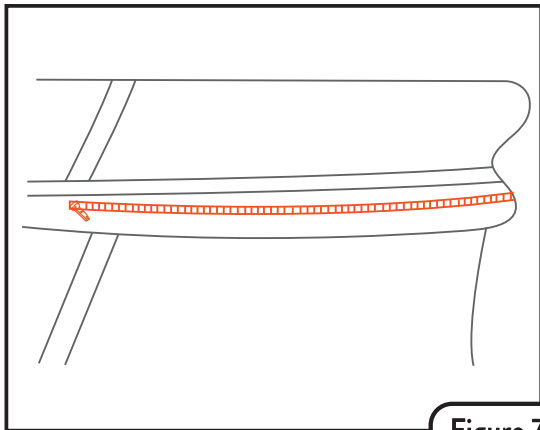


Figure 7I

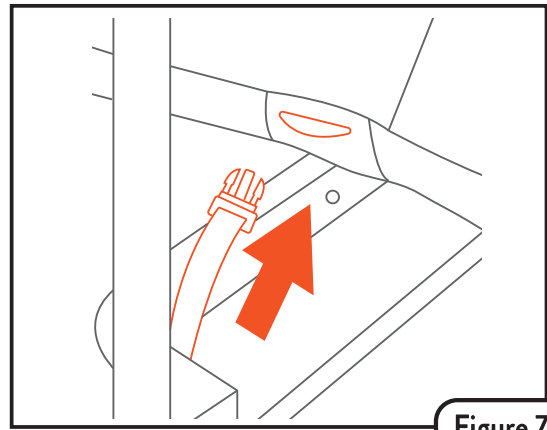


Figure 7J

- Insert the handle strap through the two holes located underneath the mattress (refer Figure 7K).
- Pull the handle strap through the other side of the fabric tunnel and buckle both straps (refer Figure 7L).

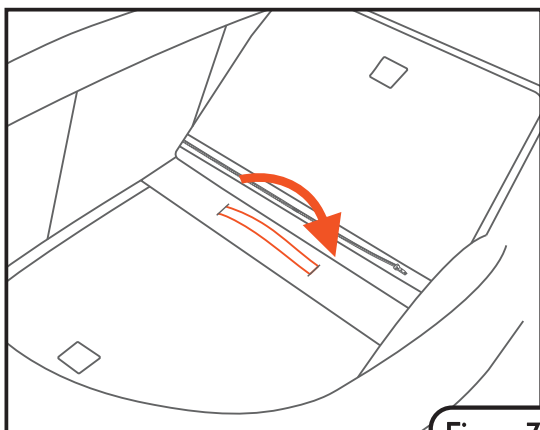


Figure 7K

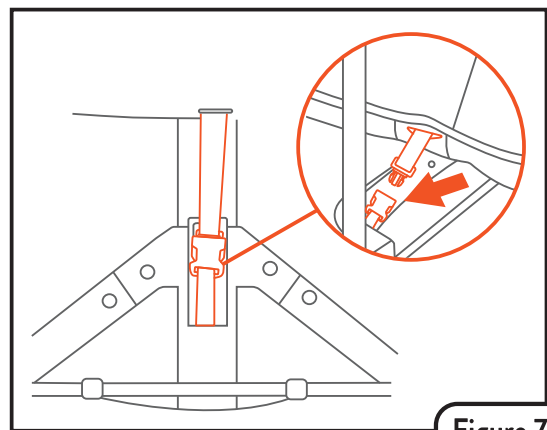


Figure 7L

WARRANTY

Grotime Pty Ltd warrants this product for twelve months from the date of purchase against failure due to manufacturing faults or faulty materials. Misuse, accidental damages, normal wear and tear are not covered by this warranty. When used for commercial use this period is limited to six months. "Our goods come with guarantees that cannot be excluded under the Australian Consumer Law. You are entitled to a replacement or refund for a major failure and for compensation for any other foreseeable loss or damage. You are also entitled to have the goods repaired or replaced if the goods fail to be of acceptable quality and the failure does not amount to a major failure.

STORAGE:

To store your Folding Bassinet (31109), please follow folding the bassinet steps on page 8. Ensure all components are kept together along with Instruction manual for future use.

**KEEP BOOKLET FOR FUTURE REFERENCE
READ ALL INSTRUCTIONS CAREFULLY BEFORE USE OF THIS
BASSINET. ALWAYS FOLLOW THE INSTRUCTIONS. THE CORRECT USE
AND MAINTENANCE OF THIS PRODUCT IS ESSENTIAL.**

THIS PRODUCT IS NOT INTENDED FOR COMMERCIAL USE.

www.grotime.com.au
www.grotime.co.nz

GROTIME
ABN: 52 149 173 660
110-114 Old Bathurst Rd,
Emu Plains, NSW 2750

CUSTOMER CARE
AU: 1300 799 912
NZ: +61 2 4728 8067
Email: customercare@grotime.com.au

MADE IN CHINA
MODEL NO: 31109
ISSUE B