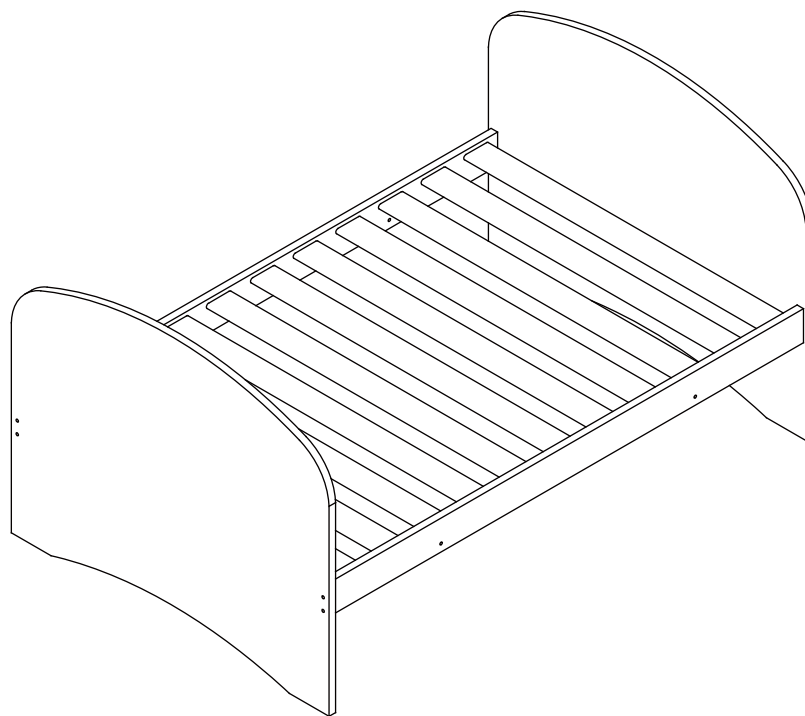






## CRESCENT BED ENDS 34103



This product is covered by a number of registered designs, trademarks and patents pending

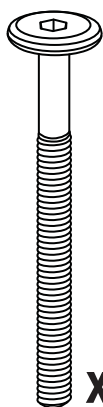
-  Two adults required to assemble this cot.
-  The manufacturer's assembly instructions must be followed in detail to ensure the safety features to the cot are not compromised.

## HARDWARE INVENTORY



**x8**

16mm Bolts  
**HA**



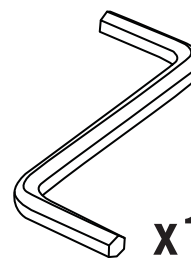
**x8**

70mm Bolts  
**HB**



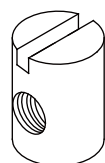
**x4**

Wood Screws  
**HD**



**x1**

Allen Key  
**HG**



**x8**

Barrel nut

## PARTS INVENTORY



4x BILATERAIL™ BASE RAILS  
**PE**



11x Single Bed Slats  
**PF**

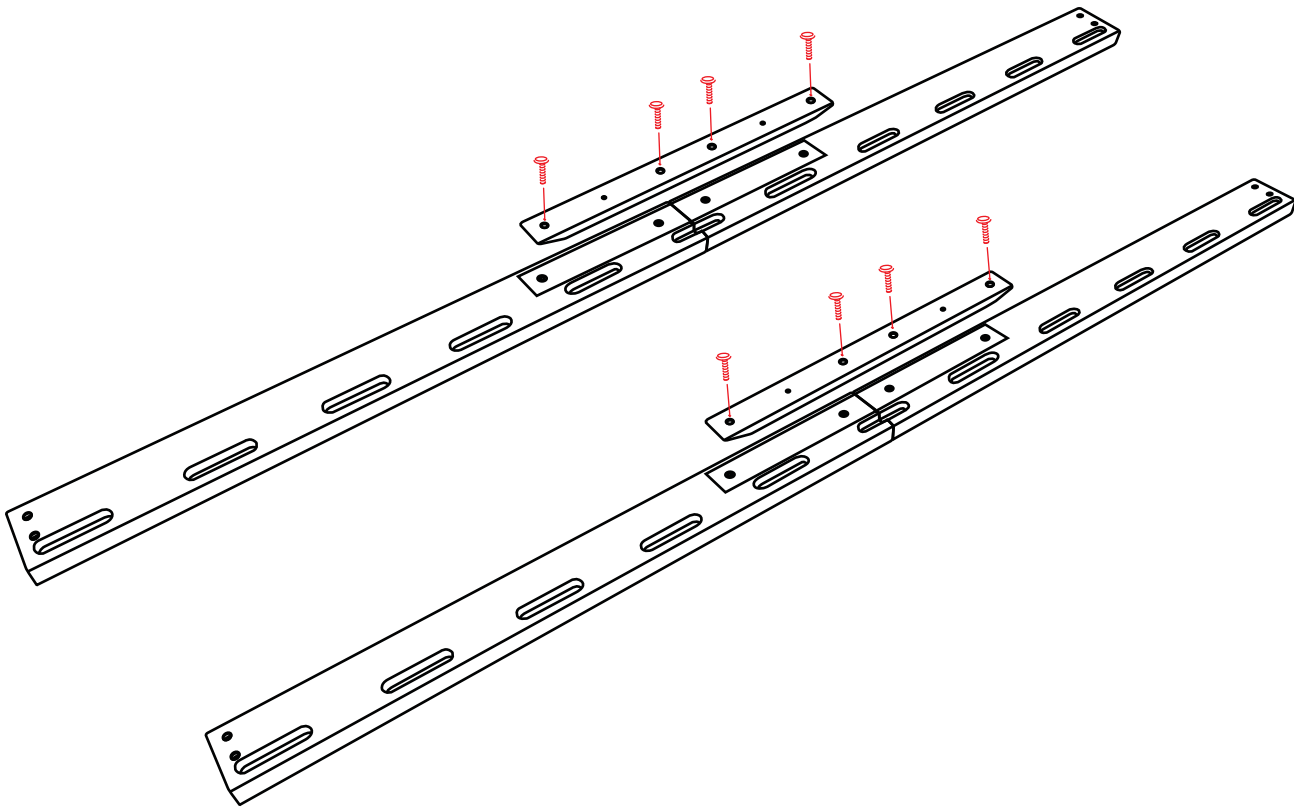
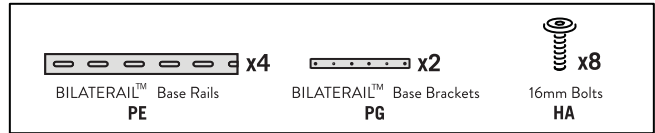


2x BILATERAIL BASE BRACKETS  
**PG**

# STEP 1

## ASSEMBLE BILATERAIL™ BED RAILS

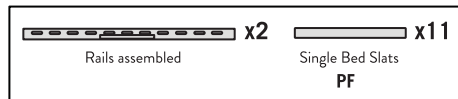
Patent pending



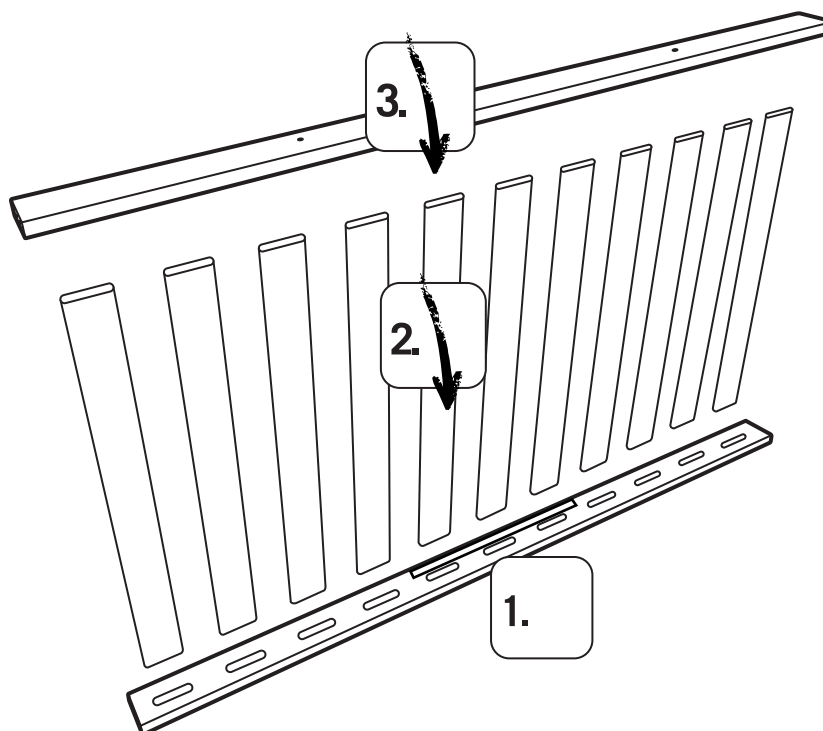
Rails assembled

# STEP 2

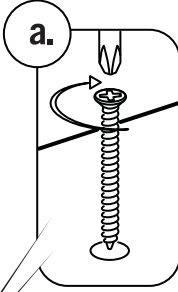
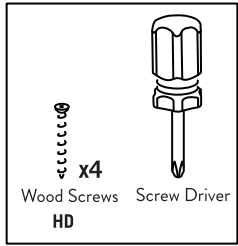
## ASSEMBLE SINGLE BED BASE



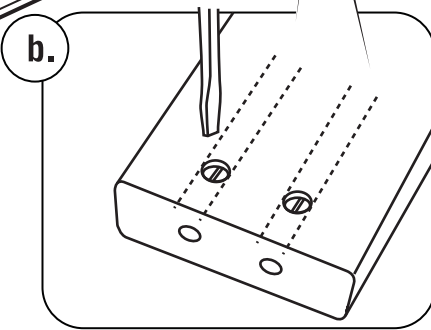
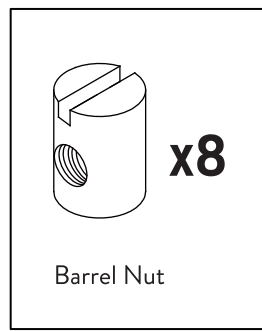
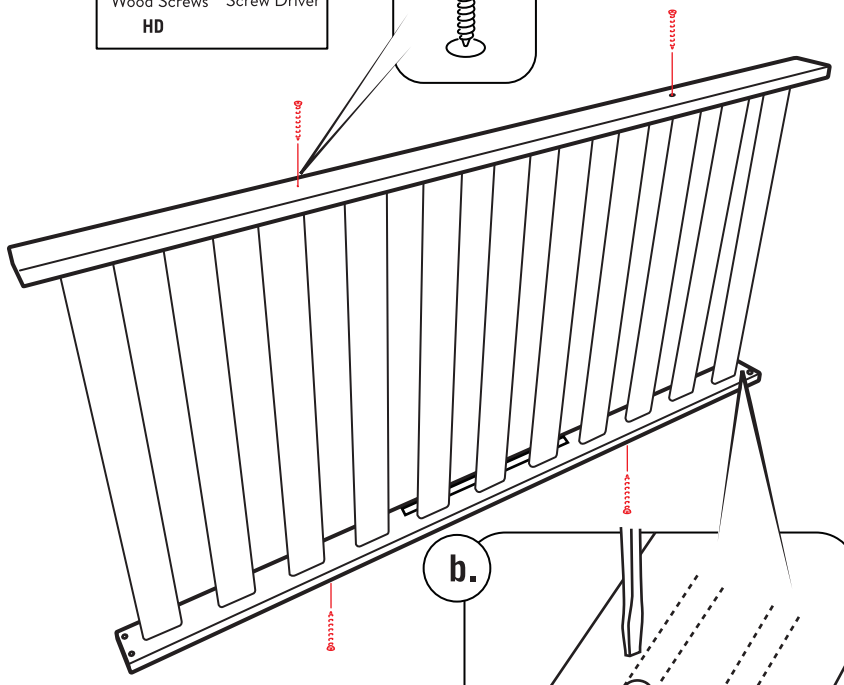
Lay one side rail down then slot all slats into the mortises.  
Place the second side rail on top.  
Working from one end slot all slats into the mortises.



### STEP 3

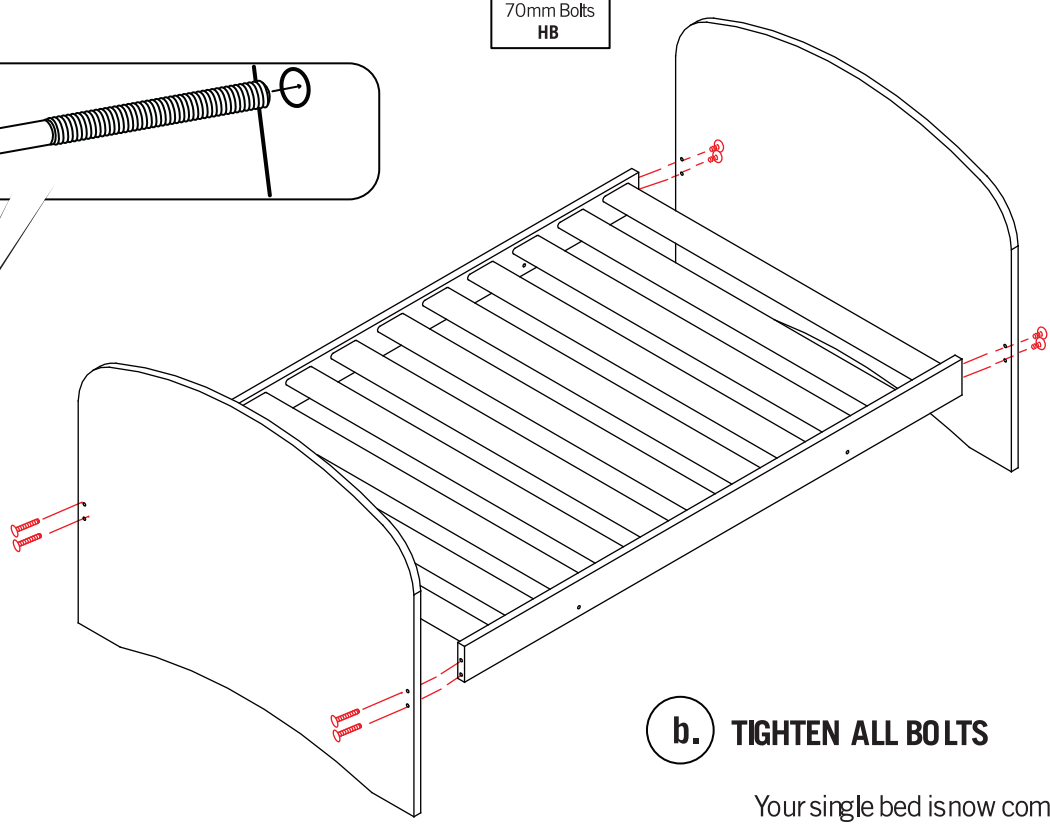
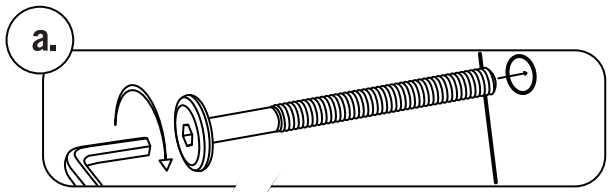
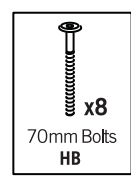


Use the four wood screws to fix the rails and slats together.



**!** Adjust insert nut clockwise/anticlockwise so that threaded holes in insert nut align with bolt holes in end of base rail

### STEP 4 ASSEMBLE SINGLE BED BASE BETWEEN TWO ENDS



**b. TIGHTEN ALL BOLTS**

Your single bed is now complete.

## WARRANTY

Infa Group Pty Ltd warrants this product for 12 months from the date of purchase against failure due to manufacturing faults or faulty materials. Misuse, accidental damages, normal wear and tear are not covered by this warranty. When used for commercial use this period is limited to six months. “Our goods come with guarantees that cannot be excluded under the Australian Consumer Law. You are entitled to a replacement or refund of a major failure or for compensation for any other foreseeable loss or damage. You are entitled to have the goods repaired or replaced if the goods fail to be of acceptable quality and the failure does not amount to a major failure”.

## STORAGE:

To store your 34103, please reverse assembly steps. Ensure all components are kept together along with Instruction manual for future use.

## KEEP BOOKLET FOR FUTURE REFERENCE

READ ALL INSTRUCTIONS CAREFULLY BEFORE USE OF THIS COT.  
ALWAYS FOLLOW THE INSTRUCTIONS. THE CORRECT USE AND  
MAINTENANCE OF THIS PRODUCT IS ESSENTIAL.

THIS PRODUCT IS NOT INTENDED FOR COMMERCIAL USE.

INFA GROUP PTY LTD  
ABN: 52 149 173 660  
110-114 Old Bathurst Rd,  
Emu Plains, NSW 2750

CUSTOMER CARE  
AU: 1300 92 4632  
NZ: 067 590 870  
Email: [customercare@infa.com.au](mailto:customercare@infa.com.au)

MADE IN CHINA  
MODEL NO: 34103  
ISSUE B