

High/Low Chair

MODEL 38100

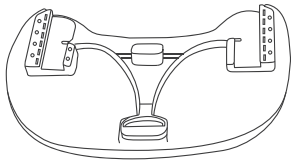


INSTRUCTIONS/WARNINGS

READ ALL INSTRUCTIONS CAREFULLY BEFORE USE OF THIS HIGH CHAIR.

CONTENTS

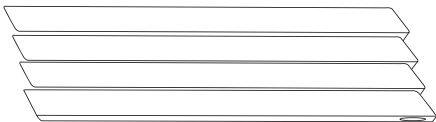
Component List



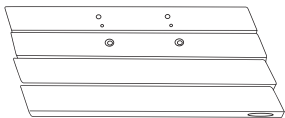
Adjustable Tray



Pedestal



Long Wooden Legs



Short Wooden Legs



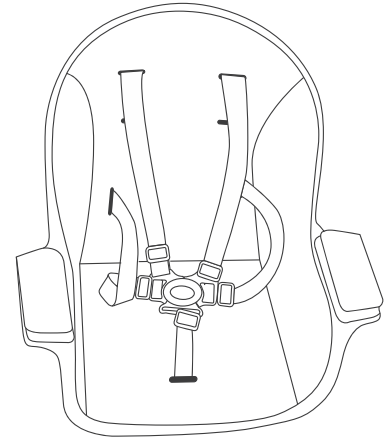
Crotch Stop



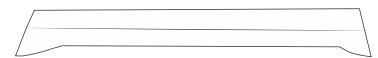
Small Footplate



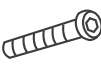








Large Footplate



Upper Seat Section

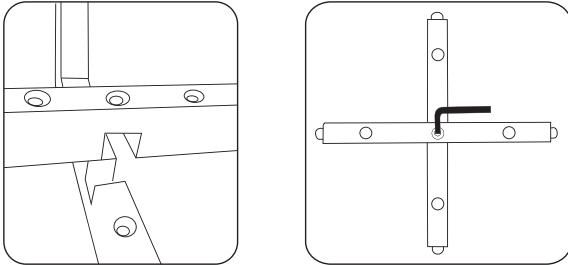


Leg Brace

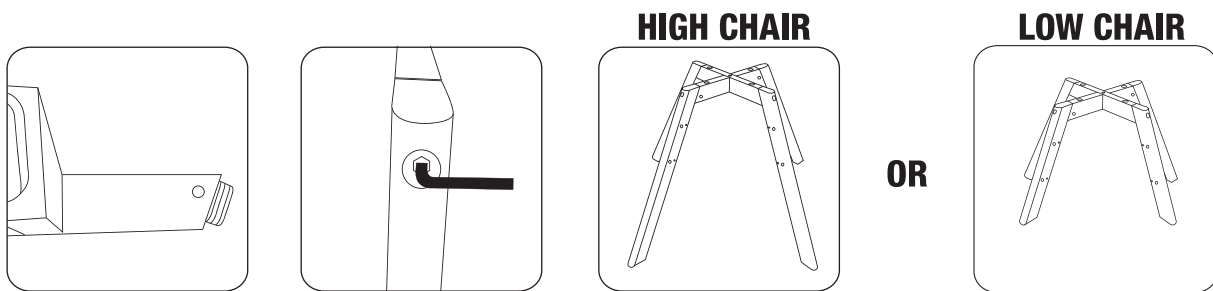
	Long screw M6*65 4		Anti-skid pads 8
	Medium screw M6*45 1		large screw M8*40 4
	Short screw M6*16 2		Big inner hexagonal tool 1
	Straight nut 4		Small inner hexagonal tool 1
	Footplate bolts M6*40 4		

Product Assembly

Step 1. Assemble Wooden Legs

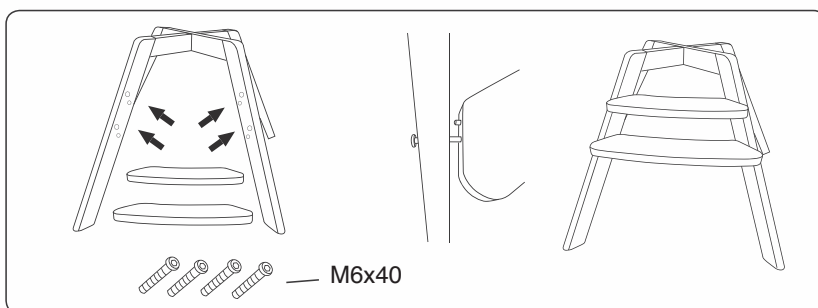


Take out both pedestals and assemble them as shown above (Using M6*45). Select either the 4 x Longer legs (High chair mode) or the 4 x Shorter legs (Low chair mode) and attach the legs to the pedestal assembly as shown below (use M6*65 screws and straight nuts, ensure straight nuts holes align with the holes in the leg). Ensure all bolts are sufficiently tightened before proceeding to the next step.



Do not use a combination of the longer and shorter legs at the same time.

Step 2. Install Footplates

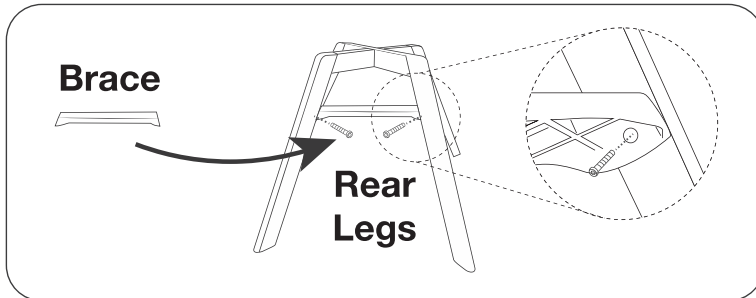


Install both small and large footplate into the allocated holes using the 4 (M6x40) screws. Small footplate is located in the highest position with the larger footplate on the lowest.

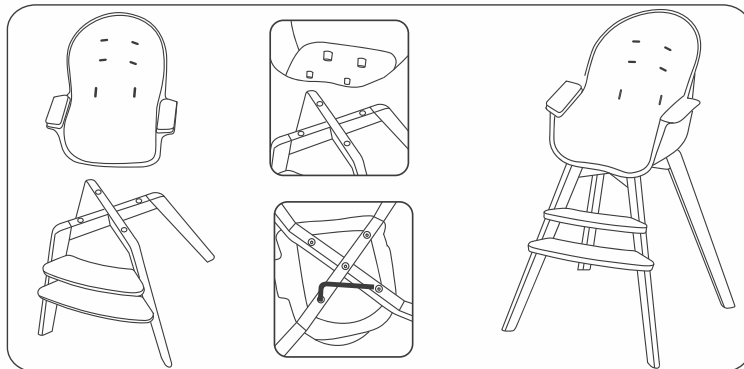
Product Assembly

Step 3. Install Leg Brace

Install the rear leg brace in the allocated holes, using 2 x M6*16mm bolts supplied.



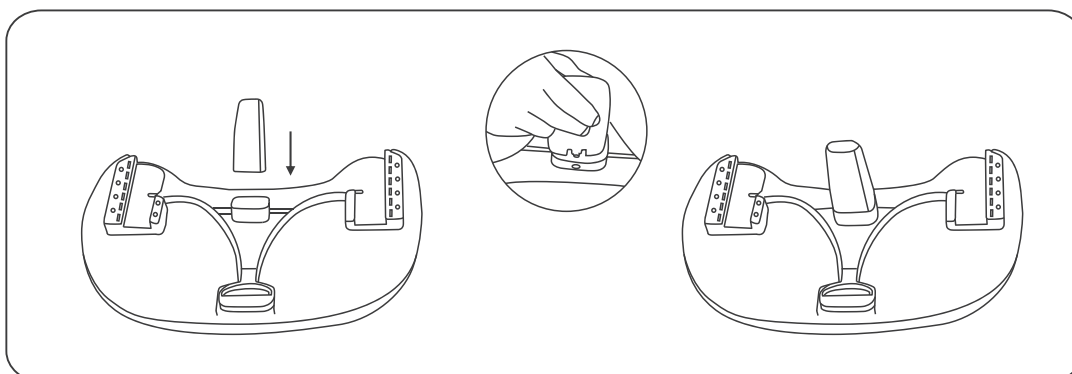
Step 4. Connect Upper Seat Section



Place the upper seat section on the lower timber leg section (as shown). Align the 4 holes on the upper seat section with the 4 holes on the timber leg section, fix the seat shell using 4 (M8*40) screws.

[Important! – All screws must be tightened to ensure stability of the highchair when in use]

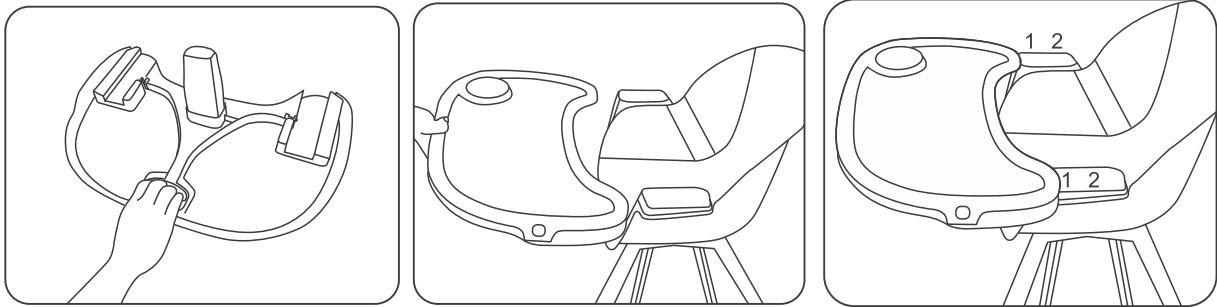
Step 5. Install Crotch Stop



Install crotch stop on the underside of the tray as shown, ensuring the plastic snap pin is firmly located in the positioning hole.

Product Assembly

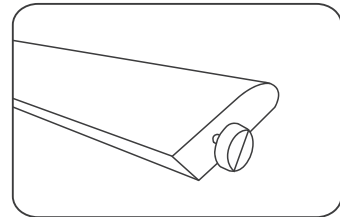
Step 6. Install Adjustable Tray



Engage the adjusting handle on the underneath of the adjustable tray, align the left and right slots with the handles on the upper seat section, ensuring an audible 'click' is heard.

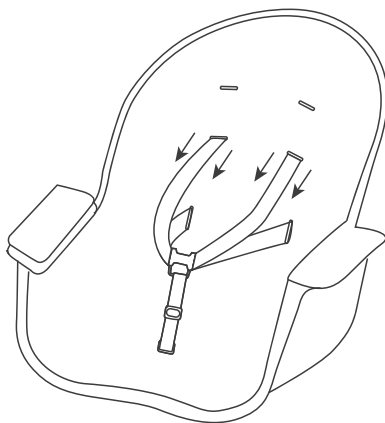
Note: The tray has 2 positions based on the size of the child.

Note: Install anti-skid feet on to the bottom of all 4 legs.

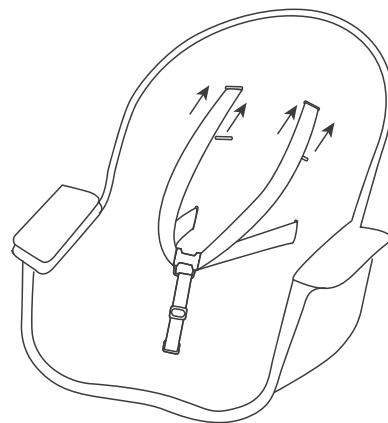


Harness Adjustment

To adjust harness for larger child, remove harness from lower shoulder slot, and reinsert into the upper shoulder slot.

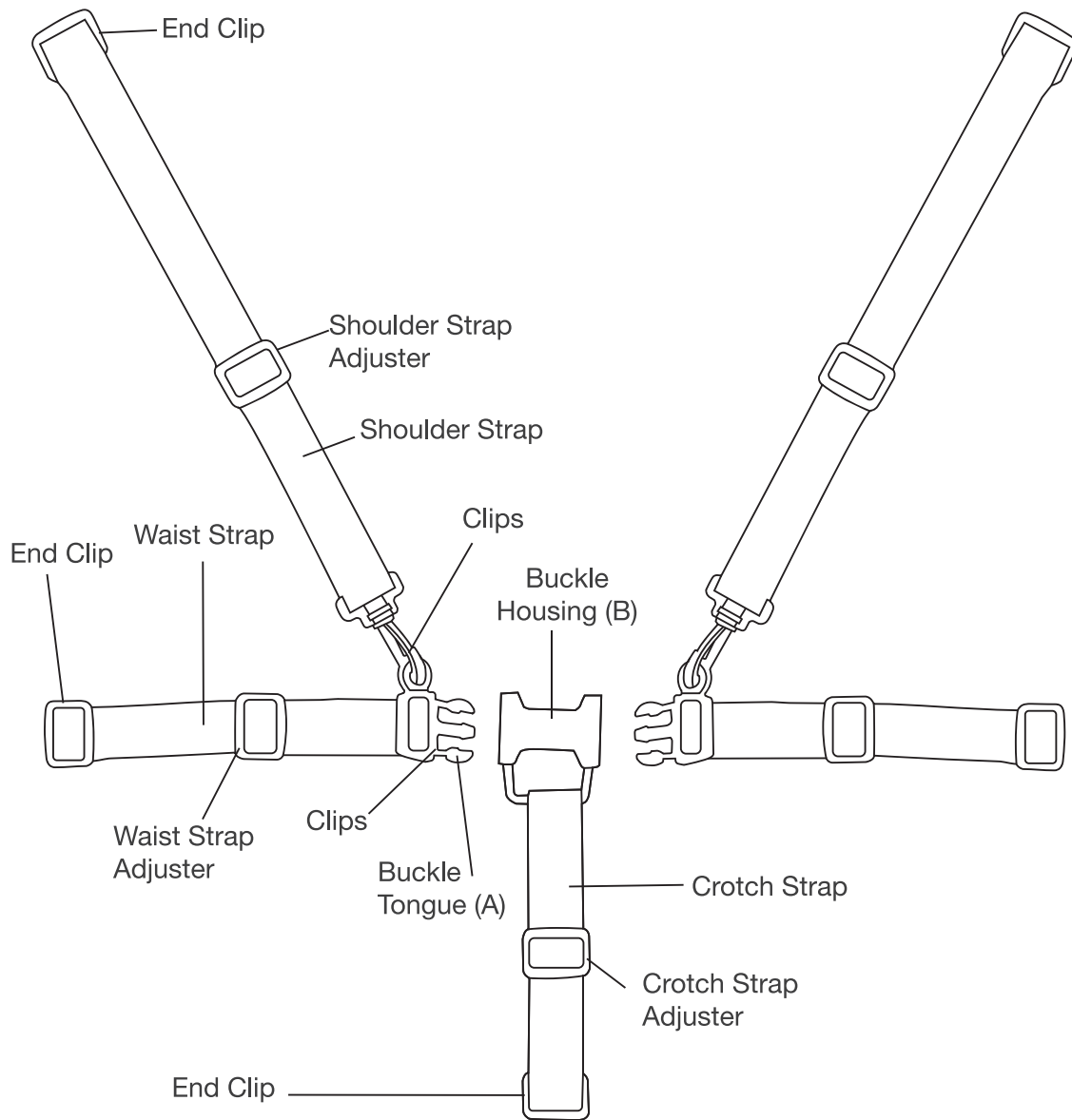


Lower Shoulder Slot



Upper Shoulder Slot

Buckle Use



To secure your child in the harness push buckle tongues (A) into buckle housing (B) and adjust with waist strap adjuster so that the waist strap is fitted securely around the child. Adjust the crotch strap using the crotch strap adjuster. Place shoulder straps in position on buckle tongues (A) and adjust so that they are securely and comfortably on the child.

Your Grotime '38100' High-Chair is now ready to use...

WARNINGS



WARNINGS: FOLLOW THE MANUFACTURER'S INSTRUCTIONS.

- THE CHILD SHOULD BE SECURED IN THE HIGH CHAIR AT ALL TIMES BY THE HARNESS.
- THE TRAY IS NOT DESIGNED TO HOLD THE CHILD IN THE HIGH CHAIR. IT IS RECOMMENDED THAT THE HIGH CHAIR BE USED ONLY BY CHILDREN CAPABLE OF RELIABLY AND CONSISTENTLY SITTING UPRIGHT UNASSISTED.
- NEVER LEAVE A CHILD IN THE HIGH CHAIR UNATTENDED.
- THE HARNESS MUST ALWAYS BE USED AND CORRECTLY FITTED.
 - › Check over the high chair before placing child into high chair.
 - › The weight of the child using this product is not to exceed 15kg.
 - › Always keep your child in view whilst using the high chair.
 - › Do not allow children to stand on the product.
 - › Use on a flat, even and horizontal floor and never use near stairs.
 - › Do not elevate the high chair on any structure or table.
 - › Never carry the high chair with the child in it.
 - › Do not use the high chair *Without the tray and always ensure the tray is secure on the armrests.* The tray is not designed to hold the child in the high chair.
 - › When making adjustments to the high chair, ensure that your child's body, fingers and toes are clear of any moving parts on the high chair.
 - › Position the high chair away from furniture, walls, hot surfaces and liquids, window covering cords and electrical cords. Position the high chair away from furniture when the high chair is not being used at a table with the tray removed.
 - › The child must not be in the high chair when selecting the height adjustment.
 - › Do not sit the child in the lowest position. This position is to be used only when folding.

WARNING:

FOLLOW THE MANUFACTURER'S INSTRUCTIONS.

DO NOT LEAVE CHILDREN UNATTENDED.

THE HARNESS MUST ALWAYS BE USED AND CORRECTLY FITTED - MOST INJURIES FROM HIGH CHAIRS ARE CAUSED BY FALLS.

POSITION THE HIGH CHAIR AWAY FROM SOLID STRUCTURES AND BENCHES TO AVOID INJURIES CAUSED BY FALLS AND BY ACCESS TO DANGEROUS ITEMS.

MAINTENANCE

- › To prolong the life of your high chair, keep it clean and do not leave in direct sunlight for extended periods of time.
- › Removable fabric covers and trims may be cleaned using warm water with a household soap or mild detergent. Allow it to dry fully, preferably away from direct sunlight.
- › In some climates, the covers and trims may be affected by mould and mildew. To help prevent this occurring, do not fold or store the product if it is damp or wet. Always store the product in a well ventilated area.
- › To maintain the safety of your nursery product, seek prompt service for bent, torn, worn or broken parts. Use only those parts and accessories approved by the manufacturer.
- › Always check parts regularly for tightness of screws, nuts and other fasteners – tighten if required.
- › **If the high chair is not working correctly, stop using the high chair immediately and seek repair from our customer care team.**
- › SURFACE WASH ONLY.
WIPE WITH A DAMP CLOTH.
SPONGE DOWN THE SURFACE WITH WARM SOAPY WATER IF NECESSARY.

STORAGE:

To store your 38100, please reverse assembly steps. Ensure all components are kept together along with instruction manual for future use.

KEEP BOOKLET FOR FUTURE REFERENCE.

READ ALL INSTRUCTIONS CAREFULLY BEFORE USE OF THIS HIGH CHAIR. ALWAYS FOLLOW THE INSTRUCTIONS. THE CORRECT USE AND MAINTENANCE OF THIS PRODUCT IS ESSENTIAL.

THIS PRODUCT IS NOT INTENDED FOR COMMERCIAL USE.

INFA GROUP PTY LTD
ABN: 52 149 173 660
110-114 Old Bathurst Rd,
Emu Plains, NSW 2750

CUSTOMER CARE
AU: 1300 92 4632
NZ: 067 590 870
Email: customercare@infa.com.au

MADE IN CHINA
MODEL NO: 38100
ISSUE B_2